

Programat[®] P510_{G2}



Short Instructions	2
Kurzanleitung	13
Mode d'emploi version simplifiée	24
Istruzioni d'uso brevi	35
Instrucciones breves	46
Guia Rápido	57

Programat® P510_{G2}

Short Instructions

Dear Customer

Thank you for having purchased the Programat® P510 G2. In order to render the setting-up and the initial use of the furnace as easy as possible, we have prepared these short instructions.



**These short instructions replace by no means the detailed Operating Instructions.
We therefore kindly ask you to thoroughly read the Operating Instructions and follow the notes contained therein.
You can find the Operating Instructions in the download section of <http://www.ivoclarvivadent.com>.**

Enjoy working with the Programat P510 G2.

1. Intended use

Intended purpose and use

The Programat P510 G2 is a ceramic furnace for the dental field. It was specifically developed for use in dental laboratories. The firing chamber may be heated up to max. 1200 °C (2192 °F) by means of a heating element.

Furthermore, the firing chamber has been designed in such a way that a vacuum may be created with a vacuum pump. Electronic components with the corresponding software monitor and control the firing programs. Additionally, the set and actual temperatures are continuously compared.

Use the Programat P510 G2 exclusively for the firing process of dental ceramic materials. Other uses than the ones stipulated, such as the cooking of food, firing of other materials, etc., are contraindicated. The manufacturer does not assume any liability for damage resulting from misuse. The user is solely responsible for any risk resulting from failure to observe these Instructions.

Further instructions to assure proper use of the furnace:

- The instructions, regulations and notes in these Short Instructions must be observed.
- The instructions, regulations and notes in the material's Instructions for Use must be observed.
- The furnace must be operated under the indicated environmental and operating conditions (see Chapter 6).
- The Programat P510 G2 must be properly maintained.

Additional information

The device has been developed solely for use in dentistry. Start-up and operation should be carried out strictly according to the Operating Instructions. Liability cannot be accepted for damages resulting from misuse or failure to observe the Instructions. The user is solely responsible for testing the apparatus for its suitability for any purpose not explicitly stated in the Instructions.

Information on cleaning the furnace can be found in the Operating Instructions. Information about the correct positioning of materials with regard to this furnace can be found in the Operating Instructions of the furnace or the Instructions for Use of the respective material.

Safety notes

Hazardous area	Type of risk
Firing chamber	Burn hazard
Opening/closing mechanism	Risk of crushing
Electrical components (cables and connections)	Risk of electrical shock

Safety information for the operation

The device may only be operated by authorized and trained technical personnel.

- Keep unauthorized persons, such as patients, children and animals, away from the device.
- In all cases of doubt regarding the safety of the device, switch off the device and take suitable measures to prevent further use.
- Prior to connecting power or operation, check the device, the accessories and protective equipment for any damage.
- Do not use damaged, non-functioning equipment or accessories. Inform your authorized service partner.
- In order to ensure the product reliability and warranty services, the device must be exclusively operated with the accessories from Ivoclar Vivadent, in particular the original power adapter.
- The user bears the risk when using non-approved accessories.
- To prevent damage to the device and a reduction of the device performance, observe the cleaning requirements and cycles.
- Only operate the device unsupervised if the operating conditions for unsupervised operation described below are fulfilled.

Unsupervised operation

The device may be operated unsupervised, provided the national and local laws and provisions allow for such action and provided that they are observed. Furthermore, the requirements of the respective insurance company must be met.

- Never use the device if the work environment is heavily soiled.
- Protect the device against unauthorized access.

Safety notes

This furnace has been designed according to EN 61010-1 and has been shipped from the manufacturer in excellent condition as far as safety regulations are concerned. To maintain this condition and to ensure risk-free operation, the user must observe the notes and warnings contained in these Operating Instructions.

- The user must especially become familiar with the warnings and operating conditions to prevent injury to personnel or damage to materials. The manufacturer is not responsible for damage resulting from misuse or failure to observe the Operating Instructions. Warranty claims cannot be accepted in such cases.
- Before switching on the furnace, make sure that the voltage indicated on the rating plate complies with your local power supply.
- The mains socket must be equipped with a residual current operated device (FI).
- The power plug acts as a circuit breaker and may only be connected with an easy-to-access power socket with protective contact.
- Use only the supplied original power cord.
- Place the furnace on a fire-proof table: Observe local regulations, (e.g. distance to combustible substances or objects, etc.).
- Make sure that the air vents on the sides and the rear are always unobstructed.
- Do not touch any parts that become hot during operation of the furnace. Burn hazard!
- When removing hot components from the firing chamber (e.g. firing table, firing tray), make sure to place them on a fire-proof surface.
- Clean the furnace only with a dry, soft cloth. Do not use any solvents!
Disconnect power before cleaning and allow the furnace to cool down!
- The furnace must be cool before it is packed for transportation.
- Use original packaging for transportation purposes.

- Before calibration, maintenance, repair or change of parts, the power must be disconnected and the furnace must be cool if it needs to be opened.
- If calibration, maintenance or repair has to be carried out with the power connected and furnace open, only qualified personnel who are familiar with the risks and dangers may perform the procedures.
- After maintenance, the required safety tests (high voltage resistance, protective conductor, etc.) have to be carried out.
- Make sure that only fuses of the indicated type and rated current are used.
- Use only original spare parts.
- If it is assumed that safe operation is no longer possible, the power must be disconnected to avoid accidental operation.
- If the furnace is visibly damaged, the power must be disconnected to avoid accidental operation.
- Check the correct function of the device after storage under unfavourable conditions over an extended period of time.
- If the furnace does not work properly, the power must be disconnected to avoid accidental operation.
- The temperature range for faultless operation is +5 °C to +40 °C (41 °F to 104 °F).
- If the furnace has been stored at very low temperatures or high atmospheric humidity, the furnace has to be left to adjust to room temperature for approx. 4 hours. Do not connect the power yet.
- The furnace is tested for use at altitudes of up to 2000 m above sea level.
- The furnace may only be used indoors.
- Before leaving the factory, the furnace functions were tested for several hours. It is therefore possible that these tests have caused slight discolouration of the insulation. Nevertheless, your Programat is still a brand new furnace.



Any disruption of the protective conductor either inside or outside the furnace or any loosening of the protective conductor may lead to danger for the user in case of malfunction. Deliberate interruptions are not tolerated.



Materials developing harmful gases must not be fired!



Warnings regarding the dismantling of the heating muffle

This product contains ceramic fibres and may release fibre dust. Fibre dust has proved to be carcinogenic in animal experiments. The heating muffle may only be dismantled by a qualified After Sales Service Centre. Information regarding the Safety Data Sheet is also available from your After Sales Service Centre.

- In the case of serious incidents related to the product, please contact Ivoclar Vivadent AG, Bendererstrasse 2, 9494 Schaan/Liechtenstein, website: www.ivoclarvivadent.com, and your responsible competent authority.
- The current Operating Instructions are available in the download section of the Ivoclar Vivadent AG website (www.ivoclarvivadent.com).

Explanation of the symbols:

Symbol	Note
	Burn hazard
	Risk of crushing
	The Operating Instructions must be read

2. Installation

Remove the furnace components from their packaging and place the unit on a suitable table. Please observe the instructions on the outer packaging. Make sure the voltage indicated on the rating plate complies with the local power supply. If this is not the case, the furnace must not be connected.

A Mounting the cooling tray

Remove both screws for the cooling tray (1).

B Place the cooling tray (2) on the frame plate (3).

Make sure that the cooling tray is correctly positioned on the frame plate.


C Secure the cooling tray with the two screws (1).

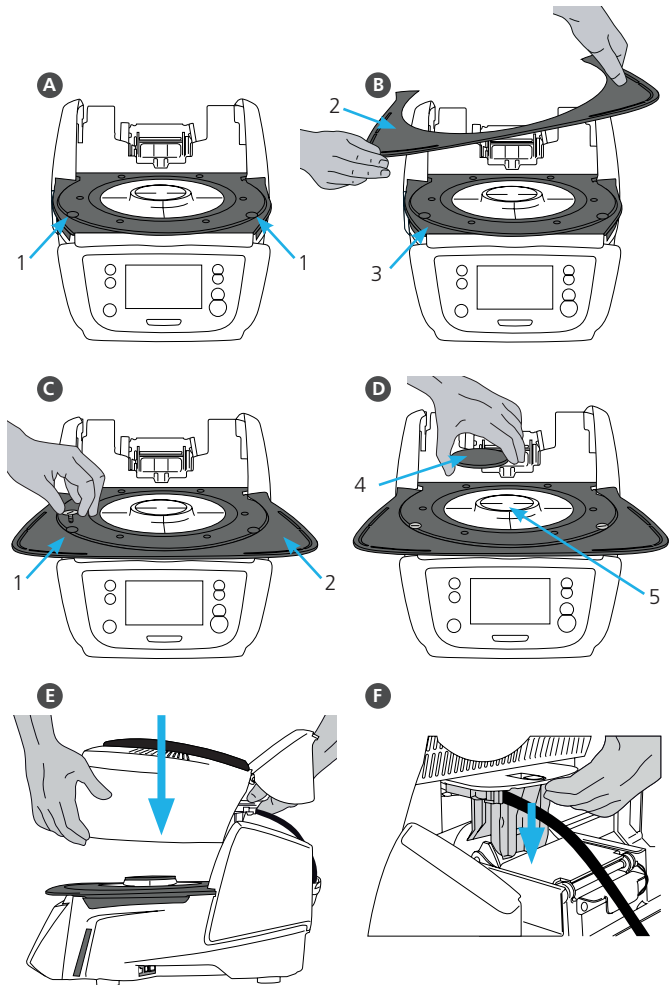
D Placing the firing plate

The firing plate (4) can now be placed on the firing plate holder (5).

E Mounting the furnace head

The furnace head is best mounted with the rear panel of the furnace pointing towards the user. Lift the furnace head with both hands as shown in the picture and place it on the furnace head mounting.

- F**  Mount the furnace head as shown in the picture until it audibly snaps into place. Make sure that the firing plate or the insulation is not damaged by mounting the furnace head.

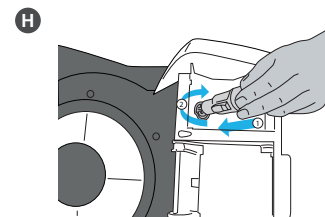
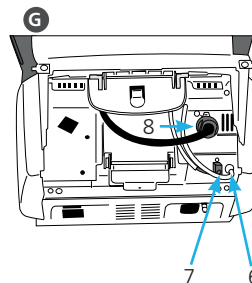


G Establishing the connections

Connect the cables of the furnace head with the furnace base.

Proceed as follows:

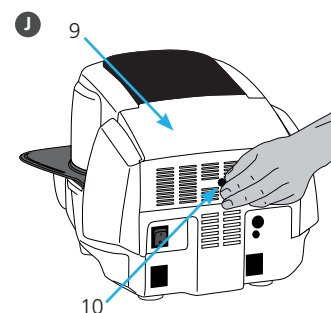
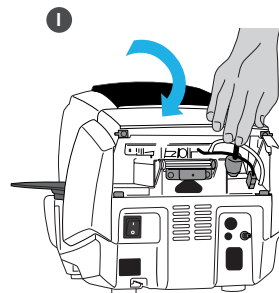
- Connect the vacuum hose (6).
- Insert the thermocouple plug (7). (Make sure that the polarity of the plug is correct.)
- Insert the heater plug (8).



- H** Insert the heater plug into the intended connector. Secure the heater plug by rotating it 45°.

I Closing the covering hood

Once all cables are correctly connected to the furnace base, close the cover (9) to protect the connections until you feel it click into place.

**J Mounting the connection cover**

The connection cover (10) can now be mounted and secured with the screws.



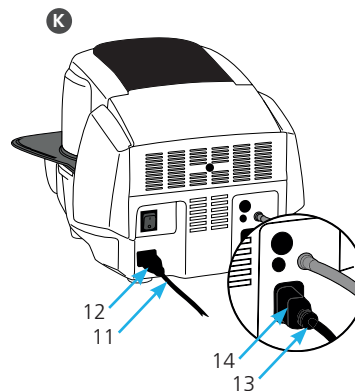
The furnace may only be used with the covering hood closed and the connection cover mounted!

K Establishing additional connections**Power connection**

Make sure that the voltage indicated on the rating plate complies with the local power supply. Subsequently, connect the power cord (11) with the power socket of the Programat (12).

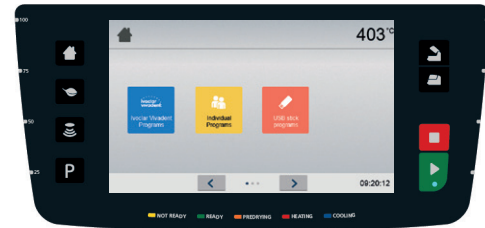
Connecting the vacuum pump

Connect the vacuum pump plug (13) with the vacuum pump socket (14). We recommend using only a vacuum pump from Ivoclar Vivadent, since these pumps are especially coordinated with the furnace. If other pumps are used, please observe and do not exceed the indicated maximum power consumption.



3. User interface

The Programat P510 G2 has a wide-screen colour display. The keypad and the touch screen allow user-friendly handling. By tapping slightly with your fingertips on the touch screen, the buttons are activated and the furnace performs the requested function.



Keypad:



Home

Returning to Home screen (main menu)



Power-saving key

This key activates the power-saving function.



Open furnace head



START (Start LED)

Starts the selected program. The green LED indicates that a program is running. If the program is paused (1 x STOP), the Start LED flashes until renewed pressing of START results in the program being resumed.



Program key

Pressing once: The currently selected program is displayed.

Pressing twice: The program selection via number entry is accessed.



Close furnace head



STOP

A running program can be paused by pressing the STOP key and terminated by pressing the key twice. Movement of the furnace head can be stopped at any time by pressing STOP. Acoustic signals can be turned off by pressing the STOP key.

4. Operation

A Turning the furnace on

Connect the power cord with the wall socket.
Put the On/Off switch to position "I".

After the self-test, the display shows the Home screen. All functions of the Programat can be selected from this screen. Click the HOME key in order to return to the Home screen.

B Selecting the program type

The furnace comprises multiple program types
a. Programs for Ivoclar Vivadent materials
b. 500 individually adjustable programs

C Selecting the program group

The program types are divided into program groups.
Each program group comprises 20 programs.

D Selecting the program

Select the required program.

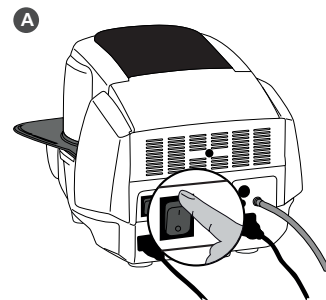
Loading the furnace

Open the furnace head by pressing the button OPEN FURNACE HEAD and place the object to be fired with the firing tray in the furnace.

E Starting the program

Press the START key to start the program. The LED lights up green. You can see the progress in the firing curve.

At the end of the program, the furnace head opens automatically. As soon as the OSD lights up green, the furnace is available for the next program start.



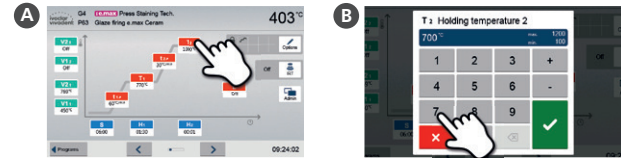
5. Editing the firing parameters

Parameters are set or edited in two steps.

Example: Setting the holding temperature

- A** Press the [T] button.
- B** Enter the desired holding temperature and confirm by pressing the green button.

The holding temperature has been changed successfully. All parameters shown in the firing curve can be changed / edited the same way.



Changing program options

By pressing the [Options] button, the menu for additional program options opens.

Example: Open the write-protection program

- A** Press the [Options] button.
- B** Edit the desired option and return to the program view by pressing the [Close] button.

By pressing the [Arrow] buttons, you can change between the individual option pages.



Please refer to the **Operating Instructions** for more detailed information.

6. Technical data and operating conditions

6.1 Technical data

Power supply	110–120 V / 50–60 Hz 200–240 V / 50–60 Hz
Overvoltage category	II
Contamination level	2
Acceptable voltage fluctuations	± 10 %
Max. power consumption	14 A at 100 V 12 A at 110–120 V 8 A at 200–240 V
Acceptable data for pumps of other manufacturers: Max. output: Final vacuum:	250 W / max. leakage current 0.75 mA < 50 mbar Only tested pumps should be used
Electrical fuses	110 – 120 V: 125 V / T15A (heating circuit) 125 V / T5A (vacuum pump)
	200 – 240 V: 250 V / T8A (heating circuit) 250 V / T3.15A (vacuum pump)
Dimensions of electrical fuses	110–120 V: Diameter 6.3 x 32 mm 200–240 V: Diameter 5 x 20 mm
Dimensions of the closed furnace	Depth: 495 mm Width: 320 mm / 395 mm (with cooling tray) Height: 320 mm
Usable size of the firing chamber	Diameter: 90 mm Height: 80 mm
Max. firing temperature	1200 °C (2192 °F)
Weight	18.7 kg

Safety notes

The furnace complies with the following standards:

IEC 61010-1:2010
IEC 61010-1:2010/AMD1:2016
EN 61010-1:2010/A1:2019
UL 61010-1:2012/R:2019-07
CAN/CSA-C22.2 No. 61010-1:2012/A1:2018-11

EN 61010-2-010:2020
IEC 61010-2-010:2019
UL 61010-2-010:2019
CAN/CSA-C22.2 No. 61010-2-010:2019

Radio protection, electromagnetic compatibility: EMC tested

6.2 Acceptable operating conditions

- Acceptable ambient temperature range: +5 °C to +40 °C (41 °F to 104 °F)
- Acceptable humidity range: Relative humidity 80% for temperatures up to 31 °C (87.8 °F) gradually decreasing to 50% relative humidity at 40 °C (104 °F), condensation excluded.
- Acceptable ambient pressure: The furnace is tested for use at altitudes of up to 2000 m above sea level.

6.3 Acceptable transportation and storage conditions

- Acceptable temperature range: –20 °C to +65 °C (–4 °F to 149 °F)
- Acceptable humidity range: Max. 80% relative humidity
- Acceptable ambient pressure: 500 mbar to 1060 mbar

Use only the original packaging together with the corresponding foam material for shipping purposes.

7. Maintenance, cleaning, diagnosis

Chapter 7 of the comprehensive Operating Instructions for this device contains detailed descriptions of the maintenance, cleaning and diagnostic procedures for the device.

Only the tasks listed may be carried out by qualified dental technicians or dental laboratory professionals. All other tasks must be performed by qualified service personnel at a certified Service Centre.

General information on the control and maintenance tasks

The time for these maintenance procedures depends on the frequency of use and the working habits of the users. For that reason, the recommended times are only approximations.

8. Disposal of the device



Chapter 2 of the comprehensive Operating Instructions for this device contains information about the proper and correct disposal of the device.

The device must not be disposed of in the normal domestic waste. Please correctly dispose of old furnaces according to the corresponding EU council directive. Information regarding disposal may also be found on the respective national Ivoclar Vivadent website.

Programat® P510_{G2}

Kurzanleitung

Sehr geehrter Kunde

Es freut uns, dass Sie sich für den Kauf des Programat® P510 G2 entschieden haben. Um Ihnen die Inbetriebnahme und die erste Anwendung des Gerätes so einfach wie möglich zu gestalten, haben wir diese Kurzanleitung verfasst.



Diese Kurzanleitung ersetzt keinesfalls die umfassende Bedienungsanleitung.

Wir bitten Sie daher, auch die Bedienungsanleitung genau durchzulesen und die Hinweise zu beachten.

Die Bedienungsanleitung finden Sie im Download-Bereich von Ivoclar Vivadent unter: <http://www.ivoclarvivadent.com>

Wir wünschen Ihnen viel Freude und Erfolg mit dem Gerät.

1. Bestimmungsgemässe Verwendung

Zweckbestimmung und Verwendung

Beim Programat P510 G2 handelt es sich um einen Brennofen für den Dentalbereich, welcher speziell für den Einsatz im Dentallabor entwickelt wurde. Der Brennraum kann mit der Heizung auf maximal 1200 °C erwärmt werden. Er ist so konzipiert, dass er mit einer Vakuumpumpe evakuiert werden kann. Eine Elektronik mit entsprechender Software steuert den Ablauf des Brennprogramms. Es findet ein ständiger Vergleich zwischen Soll- und Ist-Temperatur statt. Verwenden Sie den Programat P510 G2 ausschliesslich für den Brennprozess von dentalspezifischen Keramikmassen. Eine andere oder darüber hinausgehende Benutzung, wie z. B. das Erwärmen von Lebensmitteln, das Brennen von anderen Werkstoffen, etc., gilt als nicht bestimmungsgemäss. Für hieraus resultierende Schäden haftet der Hersteller nicht. Das Risiko trägt allein der Anwender.

Zur bestimmungsgemässen Verwendung gehören zudem:

- Die Beachtung der Anweisungen, Vorschriften und Hinweise in der vorliegenden Kurzanleitung.
- Die Beachtung der Anweisungen, Vorschriften und Hinweise in der Verarbeitungsanleitung zum Material.
- Der Betrieb innerhalb der vorgeschriebenen Umwelt- und Betriebsbedingungen (siehe Kapitel 6).
- Die korrekte Instandhaltung des Programat P510 G2.

Zusätzliche Informationen

Das Gerät wurde für den Einsatz im Dentalbereich entwickelt. Inbetriebnahme und Bedienung müssen gemäss Bedienungsanleitung erfolgen. Für Schäden, die sich aus anderweitiger Verwendung oder nicht sachgemässer Handhabung ergeben, übernimmt der Hersteller keine Haftung. Darüber hinaus ist der Benutzer verpflichtet, das Gerät eigenverantwortlich vor Gebrauch auf Eignung und Einsetzbarkeit für die vorgesehenen Zwecke zu prüfen, zumal wenn diese Zwecke nicht in der Bedienungsanleitung aufgeführt sind.

Informationen zur Reinigung des Geräts können Sie der Bedienungsanleitung entnehmen. Informationen zur korrekten Positionierung von Materialien in Bezug auf dieses Gerät können Sie der Bedienungsanleitung oder der entsprechenden Gebrauchsinformation des Materials entnehmen.

Sicherheitshinweise

Gefahrenstelle	Art der Gefährdung
Brennraum	Verbrennungsgefahr
Öffnungs- und Schliessmechanik	Quetschgefahr
Elektrische Komponenten (Kabel und Anschlüsse)	Stromschlaggefahr

Sicherheitshinweise zum Betrieb

- Gerät nur von befugtem und geschultem Fachpersonal betreiben lassen.
- Unbefugte Personen wie Patienten, Kinder und Tiere vom Geräte fernhalten.
 - In allen Zweifelsfällen bezüglich der Sicherheit Gerät vom Netz trennen und durch geeignete Massnahmen weiteren Gebrauch verhindern.
 - Gerät, Zubehör und Schutzeinrichtungen vor Inbetriebnahme bzw. Betrieb auf etwaige Beschädigungen untersuchen.
 - Beschädigtes, nicht funktionstüchtiges Gerät oder Zubehör nicht weiterverwenden, sondern autorisierten Servicepartner verständigen.
 - Um die Produktsicherheit und die Garantie zu gewährleisten, Gerät ausschliesslich mit Original-Zubehör, insbesondere dem Original-Netzkabel, von Ivoclar Vivadent betreiben.
 - Der Benutzer trägt das Risiko bei Verwendung von nicht freigegebenem Zubehör.
 - Um eine Beschädigung des Geräts und eine Reduzierung der Geräteleistung zu vermeiden, Reinigungsvorgaben und -zyklen einhalten.
 - Gerät nur unbeaufsichtigt betreiben, wenn die nachfolgend beschriebenen Bedingungen zum unbeaufsichtigten Betrieb erfüllt werden können.

Unbeaufsichtigter Betrieb

Das Gerät darf unbeaufsichtigt betrieben werden, sofern die nationalen und lokalen Gesetze und Verordnungen dies gestatten und diese eingehalten werden.

- Gerät niemals in stark verschmutztem Arbeitsraum verwenden.
- Gerät gegen den Eingriff von unbefugten Personen schützen.

Sicherheitshinweise

Dieses Gerät ist gemäss EN 61010-1 gebaut und hat das Werk in sicherheitstechnisch einwandfreiem Zustand verlassen. Um diesen Zustand zu erhalten und einen gefahrlosen Betrieb sicherzustellen, muss der Anwender die Hinweise und Warnvermerke beachten, die in dieser Bedienungsanleitung enthalten sind:

- Der Betreiber hat sich insbesondere mit den Warnhinweisen und den Betriebsbedingungen vertraut zu machen, um Schäden an Personen und Material zu vermeiden. Bei Schäden, die durch unsachgemässe Bedienung oder aufgrund nicht bestimmungsgemässen Gebrauch auftreten, erlöschen jegliche Haftungs- und Garantiansprüche.
- Vor dem Einschalten ist sicherzustellen, dass die am Gerät angegebene Betriebsspannung mit der Netzspannung übereinstimmt.
- Die Netzsteckdose muss mit einem Fehlerstromschutzschalter (FI) ausgerüstet sein.
- Der Netzstecker dient als Netztrenneinrichtung und darf nur in eine leicht zugängliche Steckdose mit Schutzkontakt eingeführt werden.
- Nur die Original mitgelieferte Netzanschlussleitung darf verwendet werden.
- Nicht auf brennbaren Tisch stellen: Nationale Vorschriften beachten (z.B. Abstände zu brennbaren Teilen einhalten).
- Belüftungsöffnungen an den Seiten und an der Rückwand stets freihalten.
- Beim Betrieb heiss werdende Teile und Partien nicht berühren. Verbrennungsgefahr!
- Beim Entnehmen heisser Teile aus der Brennkammer (z.B. Brenntisch, Brenngutträger) darauf achten, dass jene nicht auf brennbaren Flächen abgestellt werden!
- Gerät nur mit trockenem, weichem Lappen reinigen. Keine Lösungsmittel verwenden! Vor dem Reinigen Netzstecker herausziehen und abkühlen lassen!
- Das Gerät muss abgekühlt sein, bevor es für einen Versand verpackt wird.
- Für den Versand Originalverpackungen verwenden.

- Vor einem Abgleich, einer Wartung, Instandsetzung oder einem Austausch von Teilen muss das Gerät von allen Spannungsquellen getrennt und abgekühlt sein, wenn ein Öffnen des Gerätes erforderlich ist.
- Wenn ein Abgleich, eine Wartung oder Reparatur am geöffneten Gerät unter Spannung unvermeidlich ist, so darf dies nur durch eine elektrotechnische Fachkraft geschehen, die mit den damit verbundenen Gefahren vertraut ist.
- Nach Wartungsarbeiten sind die Sicherheitsprüfungen (Hochspannungsfestigkeit, Schutzleiterprüfung) durchzuführen.
- Es ist sicherzustellen, dass nur Sicherungen vom angegebenen Typ und der angegebenen Nennstromstärke als Ersatz verwendet werden.
- Nur Original-Ersatzteile verwenden.
- Wenn anzunehmen ist, dass ein gefahrloser Betrieb nicht mehr möglich ist, so ist das Gerät vom Stromnetz zu trennen und gegen unabsichtlichen Betrieb zu sichern.
- Wenn das Gerät sichtbare Beschädigungen aufweist, so ist das Gerät vom Stromnetz zu trennen und gegen unabsichtlichen Betrieb zu sichern.
- Nach längerer Lagerung bei ungünstigen Verhältnissen ist die korrekte Funktion des Gerätes zu prüfen.
- Wenn das Gerät nicht mehr ordnungsgemäss arbeitet, so ist das Gerät vom Stromnetz zu trennen und gegen unabsichtlichen Betrieb zu sichern.
- Um einen störungsfreien Betrieb zu gewährleisten, ist auf eine Einsatztemperatur von +5 °C bis +40 °C zu achten.
- Wurde das Gerät bei grosser Kälte oder hoher Luftfeuchtigkeit gelagert, ist vor Inbetriebnahme bei Raumtemperatur eine spannungsfreie Austrocknungs- bzw. Temperatur-Anpassungszeit von ca. 4 Std. einzuhalten.
- Das Gerät ist für Höhen bis 2000 m ü. M. geprüft.
- Das Gerät darf nur in Innenräumen verwendet werden.
- Die Geräte werden vor dem Verlassen des Werkes über mehrere Stunden auf ihre Funktion geprüft. Es ist daher möglich, dass durch die Tests leichte Verfärbungen an der Isolation entstehen. Es handelt sich bei Ihrem Programat trotzdem um ein neues Gerät.



Jegliche Unterbrechung des Schutzleiters inner- oder ausserhalb des Gerätes oder das Lösen des Schutzleiteranschlusses kann dazu führen, dass das Gerät bei einem auftretenden Fehler für den Betreiber eine Gefahr darstellt. Absichtliche Unterbrechung ist nicht zulässig.



Es dürfen keine Materialien gebrannt werden, bei welchen giftige Gase entstehen!



Warnhinweis für Brennmuffel-Ausbau

Dieses Erzeugnis enthält Keramikfasern, es kann Faserstaub freisetzen. Keramikstaub hat sich im Tierversuch als krebserregend erwiesen. Der Ausbau der Brennmuffel darf nur durch eine qualifizierte After Sales Service-Stelle erfolgen. Informationen zum Sicherheitsdatenblatt sind ebenfalls beim After Sales Service erhältlich.

- Bei schwerwiegenden Vorfällen, die im Zusammenhang mit dem Produkt aufgetreten sind, wenden Sie sich an Ivoclar Vivadent AG, Beldererstrasse 2, 9494 Schaan/Liechtenstein, Website: www.ivoclarvivadent.com und Ihre zuständige Gesundheitsbehörde.
- Die aktuelle Bedienungsanleitung ist auf der Website der Ivoclar Vivadent AG im Downloadcenter hinterlegt (www.ivoclarvivadent.com).

Erklärung der Symbole:

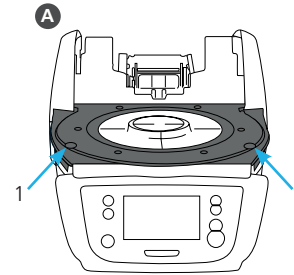
Symbol	Hinweis
	Verbrennungsgefahr
	Quetschgefahr
	Bedienungsanleitung muss zwingend gelesen werden

2. Installation

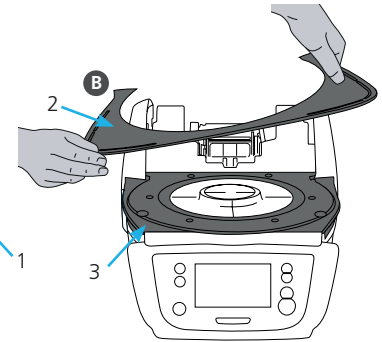
Gerätekomponenten aus der Verpackung nehmen und das Gerät auf einen geeigneten Tisch stellen. Bitte beachten Sie die Anleitung auf der Aussenverpackung. Prüfen Sie, ob die angegebene Spannung des Typenschilds mit der vorhandenen Netzspannung übereinstimmt. Ist dies nicht der Fall, darf das Gerät nicht angeschlossen werden!

A Montage der Brenngut-Ablageplatte

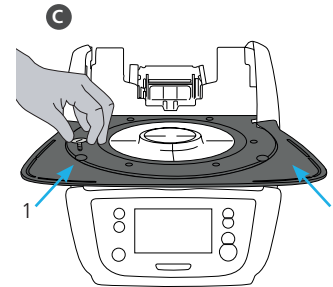
Entfernen Sie die zwei Befestigungsschrauben für die Brenngut-Ablageplatte (1).



- B Legen Sie nun die Brenngut-Ablageplatte (2) auf die Rahmenplatte (3). Achten Sie dabei, dass die Brenngut-Ablageplatte korrekt auf der Rahmenplatte aufliegt.

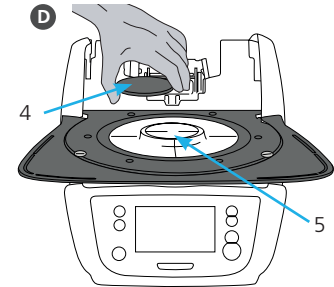


- C Sichern Sie nun die Brenngut-Ablageplatte mit den zwei Befestigungsschrauben (1).



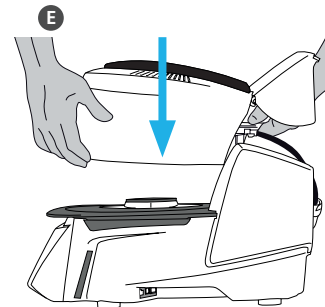
D Brenntisch auflegen


Der Brenntisch (4) kann nun auf die Brenntisch-Aufnahme (5) aufgelegt werden.

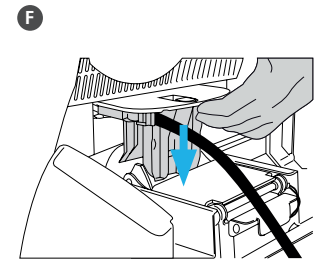


E Ofenkopf montieren

Der Ofenkopf kann am einfachsten montiert werden, wenn die Ofenrückseite zum Anwender zeigt. Heben Sie den Ofenkopf mit beiden Händen wie auf dem Bild ersichtlich und setzen Sie ihn auf die Ofenkopfhalterung.



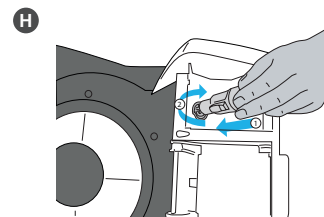
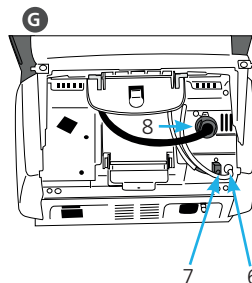
- F  Die Ofenkopfhalterung wie auf dem Bild ersichtlich aufsetzen bis der Ofenkopf spürbar einrastet. Achten Sie darauf, dass der Brenntisch bzw. die Isolation durch die Ofenkopfmontage nicht beschädigt wird.



G Anschlüsse herstellen

Verbinden Sie nun die Kabel des Ofenkopfes mit dem Ofen-Unterteil. Gehen Sie dabei wie folgt vor:

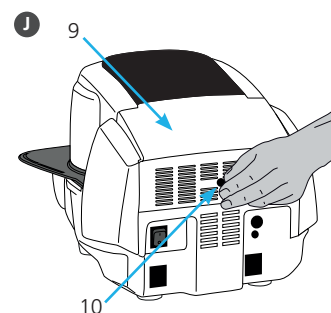
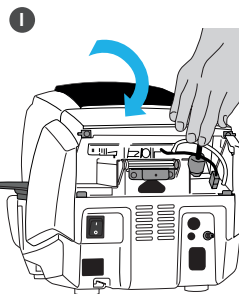
- Vakuumschlauch anschliessen (6)
- Stecker Thermoelement (7) einstecken (auf richtige Polung achten)
- Stecker Heizung einstecken (8)



- H Stecken Sie den Heizungsstecker in den vorgesehenen Anschluss. Fixieren Sie den Heizungsstecker durch eine 45° Drehung.

I Abdeckhaube anklappen

Wenn alle Kabel korrekt mit dem Ofen-Unterteil verbunden sind, klappen Sie die Abdeckhaube (9) über die Anschlüsse bis jene einrastet.



J Anschlussabdeckung montieren

Nun kann die Anschlussabdeckung (10) aufgesetzt und mit der Befestigungsschraube fixiert und gesichert werden.



Das Gerät darf nur mit angeklappter Abdeckhaube und montierter Anschlussabdeckung in Betrieb genommen werden!

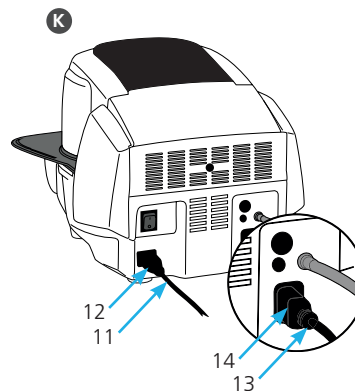
K Weitere Anschlüsse herstellen

Netzanschluss herstellen

Bitte überprüfen Sie vor dem Anschliessen, ob die Netzspannung mit Ihrer örtlichen Netzspannung übereinstimmt. Anschliessend können Sie das Netzkabel (11) mit der Gerätesteckdose (12) verbinden.

Vakuumpumpe anschliessen

Stecken Sie den Vakuumpumpen-Netzstecker (13) in die Vakuumpumpe-Gerätesteckdose (14). Wir empfehlen Ihnen eine Vakuumpumpe von Ivoclar Vivadent zu verwenden, da diese Pumpen speziell auf den Brennofen abgestimmt sind. Falls eine andere Vakuumpumpe angeschlossen wird, beachten Sie dabei bitte die maximal zulässige Leistungsaufnahme auf dem Typenschild.



3. Bedienelemente

Der Programat P510 G2 verfügt über ein Breitbild-Farbdisplay. Die intuitive Bedienung erfolgt über die Folientastatur und den Touch-Screen. Durch leichtes Antippen der Anzeige mit der Fingerkuppe können Touch-Buttons betätigt werden und das Gerät führt die gewünschte Funktion aus.

Folientasten:



Home

Wechsel zum „Home-Screen“ (Hauptmenü)



Stromspar-Taste

Mit dieser Taste wird die Stromspar-Funktion aktiviert.



Ofenkapf öffnen



START (Start-LED)

Startet das gewählte Programm. Ein aktives Programm wird durch die grün leuchtende LED signalisiert. Wird das Programm pausiert (1 x STOP), blinkt die Start-LED bis zur Fortsetzung durch erneutes START.



Programm-Taste

Einmaliges Drücken: Anzeige des aktuell gewählten Programms.

Zweimaliges Drücken: Wechsel in die Programmauswahl via Nummern-Eingabe



Ofenkapf schliessen



STOP

Ein aktives Programm kann durch Drücken der STOP-Taste pausiert und durch zweimaliges Drücken beendet werden. Eine Kopf-Bewegung kann mit der STOP-Taste jederzeit angehalten werden. Signaltöne können mit der STOP-Taste quittiert werden.

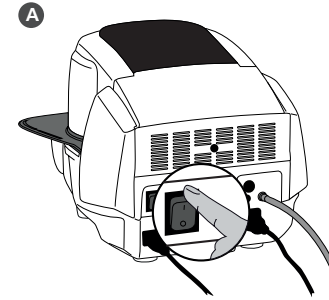


4. Bedienung

A Einschalten

Verbinden Sie das Netzkabel mit dem Leitungsnetz und schalten Sie den Ein/Aus-Schalter auf der Geräterückseite auf die Position "I".

Nach dem Selbsttest des Gerätes erscheint der Home-Screen. Über diesen können sämtliche Funktionen des Programats angewählt werden. Mit der HOME-Taste kann in den Home-Screen gewechselt werden.



B Programmbereich wählen

Das Gerät verfügt über mehrere Programmbereiche:

- Programme für Ivoclar Vivadent-Materialien
- 500 freie, individuell einstellbare Programme

C Programmgruppe wählen

Die Programmbereiche werden jeweils in Programmgruppen unterteilt. Jede Programmgruppe verfügt über 20 Programme.

D Programm wählen

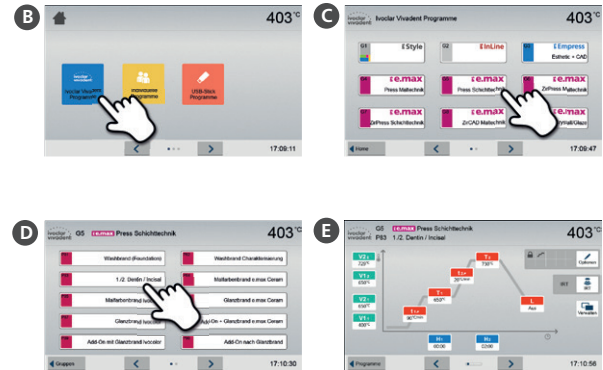
Wählen Sie das gewünschte Programm.

Bestücken des Ofens

Öffnen Sie den Ofenkopf mit der Taste OFENKOPF ÖFFNEN und stellen Sie das Brennobjekt mit dem Brenngutträger in den Ofen.

E Programm starten

Drücken Sie die START-Taste, das Programm wird gestartet und die LED-Anzeige leuchtet grün. Auf dem Brennkurven-Bild können Sie den Ablauf beobachten. Am Ende des Programms öffnet der Ofenkopf automatisch. Sobald die OSD-Anzeige grün leuchtet, steht der Ofen für den nächsten Programmstart zur Verfügung.



5. Brennparameter editieren

Die Eingabe bzw. das Editieren eines Parameters erfolgt in zwei Schritten
z. B. Einstellen der Haltetemperatur:

A Auf den Button [T] drücken

B Gewünschte Haltetemperatur eingeben und mit grünem Button bestätigen

Die Haltetemperatur wurde somit erfolgreich geändert. Alle anderen in der Brennkurve dargestellten Parameter können auf dieselbe Weise verändert/editiert werden.

Programm Optionen ändern

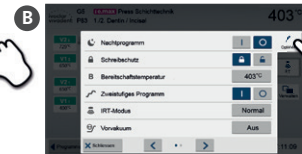
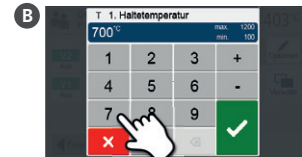
Durch Drücken des Buttons [Optionen] öffnet sich das Menü für erweiterte Programmooptionen.

z.B. Programmschreibschutz öffnen

A Auf den Button [Optionen] drücken

B Gewünschte Option editieren und mit dem [Schliessen]-Button in die Programmanzeige wechseln.

Mit den [Pfeil]-Buttons kann zwischen den einzelnen Optionenseiten gewechselt werden.



Ausführliche Informationen zur Anwendung entnehmen Sie bitte der Bedienungsanleitung.

6. Technische Daten und Betriebsbedingungen

6.1 Technische Daten

Netzanschluss	110–120 V / 50–60 Hz 200–240 V / 50–60 Hz
Überspannungskategorie	II
Verschmutzungsgrad	2
Zulässige Spannungsschwankungen	± 10 %
Max. Stromaufnahme	14 A bei 100 V 12 A bei 110–120 V 8 A bei 200–240 V
Zulässige Daten für Fremdvakuumumpfen: Max. Leistung: Endvakuum:	250 W / max. Ableitstrom 0,75 mA < 50 mbar Nur geprüfte Pumpen verwenden
Werte elektrische Sicherungen	110 – 120 V: 125 V / T15A (Heizkreis) 125 V / T5A (Vakuumpumpe)
	200 – 240 V: 250 V / T8A (Heizkreis) 250 V / T3.15A (Vakuumpumpe)
Dimension elektrische Sicherungen	110–120 V: Durchmesser 6,3 x 32 mm 200–240 V: Durchmesser 5 x 20 mm
Abmessungen des geschlossenen Ofens	Tiefe: 495 mm Breite: 320 mm / 395 mm (mit Ablageplatte) Höhe: 320 mm
Brennraum Nutzmasse	Durchmesser: 90 mm Höhe: 80 mm
Max. Brenntemperatur	1200 °C
Gewicht	18,7 kg

Sicherheitshinweise

Der Brennofen wurde entsprechend den folgenden Normen gebaut:

IEC 61010-1:2010
IEC 61010-1:2010/AMD1:2016
EN 61010-1:2010/A1:2019
UL 61010-1:2012/R:2019-07
CAN/CSA-C22.2 No. 61010-1:2012/A1:2018-11

EN 61010-2-010:2020
IEC 61010-2-010:2019
UL 61010-2-010:2019
CAN/CSA-C22.2 No. 61010-2-010:2019

Funkschutz / Elektromagnetische Kompatibilität: EMV geprüft

6.2 Zulässige Betriebsbedingungen

- Zulässige Umgebungstemperatur: +5 °C bis +40 °C
- Zulässiger Feuchtigkeitsbereich: Max. relative Feuchte 80 % für Temperaturen bis 31 °C, linear abnehmend bis 50 % relativer Feuchte bei 40 °C, ausschliesslich Kondensation
- Zulässiger Umgebungsdruck: Das Gerät ist für Höhen bis 2000 m ü. M. geprüft

6.3 Zulässige Transport- und Lagerbedingungen

- Zulässige Temperaturbereich: –20 °C bis +65 °C
- Zulässiger Feuchtigkeitsbereich: Max. relative Feuchte 80 %
- Zulässiger Umgebungsdruck: 500 mbar bis 1060 mbar

Bitte für Transportzwecke nur die Originalverpackung mit den entsprechenden Schaumstoffeinlagen verwenden.

7. Unterhalt, Reinigung und Diagnose

In Kapitel 7 der ausführlichen Bedienungsanleitung zu diesem Gerät werden Unterhalt, Reinigung und Diagnose im Detail für das Gerät beschrieben.

Dabei werden nur die Arbeiten aufgelistet, welche vom zahntechnischen Fachpersonal durchgeführt werden können. Alle übrigen Arbeiten müssen von einer anerkannten Ivoclar Vivadent-Servicestelle durch entsprechendes Fachpersonal durchgeführt werden.

Allgemeine Informationen zu den Kontroll- und Unterhaltsarbeiten

Wann Wartungsarbeiten durchgeführt werden sollen, hängt stark von der Gebrauchsintensität und der Arbeitsweise des Anwenders ab. Aus diesem Grund stellen die empfohlenen Werte nur Richtwerte dar.

8. Entsorgung des Gerätes



In Kapitel 2 der ausführlichen Bedienungsanleitung zu diesem Gerät wird die fachgerechte Entsorgung des Gerätes beschrieben.

Die Geräte dürfen nicht über den normalen Hausmüll entsorgt werden. Bitte ausgediente Geräte gemäss der EU-Richtlinie fachgerecht entsorgen. Informationen zur Entsorgung finden Sie auch auf der jeweiligen nationalen Ivoclar Vivadent-Homepage.

Programat[®] P510_{G2}

Mode d'emploi version simplifiée

Cher client,

Nous vous remercions d'avoir fait l'acquisition du Programat[®] P510 G2. Les instructions ci-après vous permettront de simplifier au maximum la configuration et la première utilisation de votre four.



Ces brèves instructions ne se substituent en aucun cas au Mode d'emploi détaillé.

Par conséquent, nous vous demandons de bien vouloir lire attentivement le Mode d'emploi et d'en suivre les consignes.

Vous trouverez le mode d'emploi dans la section de téléchargement de <http://www.ivoclarvivadent.com>.

Travaillez en toute simplicité avec le Programat P510 G2.

1. Utilisation prévue

Objectif et utilisation conforme

Le Programat P510 G2 est un four à céramique pour le domaine dentaire. Il a été spécialement développé pour une utilisation au laboratoire de prothèse dentaire. La chambre de cuisson peut atteindre une température maximale de 1200 °C. Le four permet de réaliser des cuissons sous vide grâce à une pompe à vide. Une commande électronique pilotée par un logiciel gère le déroulement du programme de cuisson et procède à une comparaison constante entre la température de consigne et la température réelle.

Utiliser le Programat P510 G2 exclusivement pour la cuisson des matériaux céramiques dentaires. Toute autre utilisation, telle que le réchauffement de produits alimentaires ou la cuisson d'autres matériaux, est considérée comme non conforme. Le fabricant décline toute responsabilité pour les dommages résultant d'une utilisation inappropriée de l'appareil, dont les risques seront entièrement supportés par l'utilisateur.

L'utilisation conforme suppose également :

- Le respect des consignes, des directives et des remarques figurant dans le présent mode d'emploi.
- Le respect des consignes, des directives et des remarques figurant dans le mode d'emploi du matériau.
- L'utilisation de l'appareil conformément aux conditions d'environnement et de fonctionnement décrites (voir chapitre 6).
- L'entretien correct du Programat P510 G2.

Informations complémentaires

Cet appareil a été développé exclusivement pour un usage dentaire. La mise en service et l'utilisation doivent s'effectuer conformément au mode d'emploi. La responsabilité du fabricant ne peut être reconnue pour des dommages résultant d'un non-respect du mode d'emploi ou d'un élargissement du champ d'application prévu. L'utilisateur est responsable des tests effectués sur l'appareil et qui ne sont pas explicitement énoncés dans le mode d'emploi.

Vous trouverez des informations sur le nettoyage du four dans le mode d'emploi. Des informations sur le positionnement correct des matériaux par rapport à ce four sont disponibles dans le mode d'emploi du four ou dans le mode d'emploi du matériau concerné.

Informations sur la sécurité

Zone de danger	Type de risque
Chambre de cuisson	Risque de brûlure
Mécanisme d'ouverture et de fermeture	Risque d'écrasement
Composants électriques (câbles et connexions)	Risque d'électrocution

Informations relatives à la sécurité en fonctionnement

- L'appareil ne doit être utilisé que par un personnel technique autorisé et formé.
- Tenez éloignées de l'appareil les personnes non autorisées (patients, enfants) et les animaux.
 - En cas de doute concernant la sécurité de l'appareil, éteignez-le et prenez les mesures appropriées pour garantir la sécurité de toute utilisation ultérieure.
 - Avant de procéder à tout raccordement à l'alimentation ou à toute utilisation, vérifiez que l'appareil, les accessoires et l'équipement de protection ne présentent aucun dommage.
 - N'utilisez pas d'appareils ou d'accessoires endommagés et non fonctionnels. Informez votre partenaire de service agréé.
 - Afin de garantir la fiabilité du produit et les services de garantie, l'appareil doit être utilisé exclusivement avec les accessoires Ivoclar Vivadent, en particulier le bloc d'alimentation d'origine.
 - L'utilisateur assume le risque d'une utilisation d'accessoires non approuvés.
 - Pour éviter d'endommager l'appareil et de réduire ses performances, respectez les exigences et les cycles de nettoyage.
 - Faites fonctionner l'appareil sans surveillance uniquement si les conditions de fonctionnement sans surveillance décrites ci-dessous sont remplies.

Utilisation sans surveillance

L'appareil peut être utilisé sans surveillance à condition que les lois et dispositions nationales et locales l'y autorisent et qu'elles soient respectées. De plus, les exigences du contrat d'assurance souscrit doivent être respectées.

- N'utilisez jamais l'appareil si l'environnement de travail est très sale.
- Protégez l'appareil contre tout accès non autorisé.

Informations sur la sécurité

Cet appareil a été construit selon la norme EN 61010-1 et a quitté l'usine en parfait état technique de sécurité. Pour préserver cet état et garantir un fonctionnement sans risque, l'utilisateur doit respecter les consignes et mises en garde contenues dans le présent mode d'emploi :

- L'utilisateur doit se familiariser avec les recommandations et les conditions de fonctionnement pour éviter tout dommage du matériel ou lésion corporelle. Tout recours en responsabilité et en garantie est invalidé en cas de dommages découlant d'une mauvaise manipulation et/ou d'une utilisation non conforme. La garantie ne s'applique pas dans ces cas.
- Avant la mise en route de l'appareil, il faut s'assurer que la tension de fonctionnement de l'appareil correspond bien à la tension du secteur.
- La prise secteur doit être équipée d'un disjoncteur différentiel (FI).
- La fiche de raccordement au secteur ne doit être introduite que dans une prise facilement accessible et munie d'une borne de mise à la terre.
- N'utiliser que le câble secteur d'origine.
- Ne pas poser l'appareil sur un support inflammable. Respecter les prescriptions nationales (par ex. la distance avec des éléments combustibles).
- Vérifier que les événements d'aération situés sur les côtés et à l'arrière ne soient pas obstrués.
- Pendant le fonctionnement, ne pas toucher les pièces du four dégageant une forte chaleur. Risque de brûlure !
- Lors du retrait de pièces brûlantes de la chambre de cuisson (par ex. la table de cuisson, les supports de cuisson), veiller à ne pas les poser sur une surface inflammable !
- Nettoyer le four en utilisant uniquement un chiffon sec et doux. Ne pas utiliser de détergents ! Débrancher l'appareil et le laisser refroidir avant le nettoyage !
- Laisser refroidir l'appareil avant de l'emballer pour expédition.
- Utiliser l'emballage d'origine pour toute expédition.

- Avant d'effectuer le réglage, l'entretien, la réparation ou le remplacement de pièces nécessitant l'ouverture de l'appareil, laisser refroidir celui-ci et le débrancher de toute alimentation électrique.
- Toutefois, si un réglage, un entretien ou une réparation sur l'appareil ouvert et sous tension s'avèrent inévitables, ils ne pourront être effectués que par un professionnel spécialisé et familiarisé avec les dangers correspondants.
- Après les travaux d'entretien, procéder aux contrôles de sécurité (résistance à la haute tension, conducteur de mise à la terre).
- En cas de remplacement, utiliser exclusivement des fusibles du modèle indiqué et compatibles avec l'intensité de courant utilisée.
- N'utiliser que des pièces détachées d'origine.
- S'il s'avère qu'un fonctionnement sûr de l'appareil n'est plus garanti, celui-ci sera débranché du secteur et protégé contre toute utilisation involontaire.
- Si le four est visiblement endommagé, l'alimentation électrique doit être coupée pour éviter tout fonctionnement accidentel.
- Vérifier le bon fonctionnement de l'appareil après un stockage dans des conditions défavorables pendant une période prolongée.
- Si le four ne fonctionne pas correctement, le courant doit être coupé pour éviter un fonctionnement accidentel.
- Pour garantir un bon fonctionnement, respecter une température d'utilisation comprise entre +5°C et +40°C.
- Si l'appareil a été stocké par grand froid ou dans une atmosphère très humide, le laisser pendant 4 heures environ à température ambiante avant de l'utiliser (sans le brancher au secteur).
- L'appareil a été testé pour une utilisation jusqu'à une altitude de 2000 m au-dessus du niveau de la mer.
- L'appareil doit être utilisé exclusivement en intérieur.
- Avant de quitter l'usine, le fonctionnement des appareils est testé pendant plusieurs heures. Il est par conséquent possible que l'isolation présente de légères colorations provoquées par ces tests. Votre Programat n'en reste pas moins un appareil neuf.



Toute coupure du conducteur de mise à la terre à l'intérieur ou à l'extérieur de l'appareil ou la déconnexion de celui-ci peut représenter un danger pour l'utilisateur en cas de panne. Toute coupure intentionnelle est interdite.



Aucun matériau susceptible de libérer des gaz toxiques ne doit être cuit !



Avertissement relatif au démontage du moufle de cuisson

Ce produit contient des fibres céramiques et peut libérer de la poussière fibreuse. La poussière de céramique s'est avérée cancérigène au cours d'expériences menées sur des animaux. Le démontage du moufle de cuisson doit uniquement être réalisé par un Service Après-Vente qualifié. Les informations relatives aux fiches de sécurité sont également disponibles auprès du service après-vente.

- En cas d'incident grave lié au produit, veuillez contacter Ivoclar Vivadent AG, Bendererstrasse 2, 9494 Schaan/Liechtenstein, site Internet : www.ivoclarvivadent.com et les autorités compétentes.
- Le mode d'emploi simplifié actuel est disponible sur la page de téléchargement du site internet Ivoclar Vivadent AG (www.ivoclarvivadent.com).

Explication des symboles

Symbole	Remarque
	Risque de brûlure
	Risque d'écrasement
	Lire impérativement le mode d'emploi

2. Installation

Déballer les composants du four et placer l'unité sur une table adaptée. Respecter les consignes indiquées sur l'emballage extérieur. Veiller à s'assurer que la tension indiquée sur la plaque d'identification est conforme à l'alimentation locale. Dans le cas contraire, ne pas brancher le four.

A Montage de la tablette de service

Retirer les deux vis (1) de la plaque supérieure.

B Poser la tablette de service (2) sur la plaque supérieure (3).

Veiller à ce que la tablette de service soit correctement positionnée sur la plaque supérieure.


C Fixer la tablette de service (2) à l'aide des 2 vis (1).

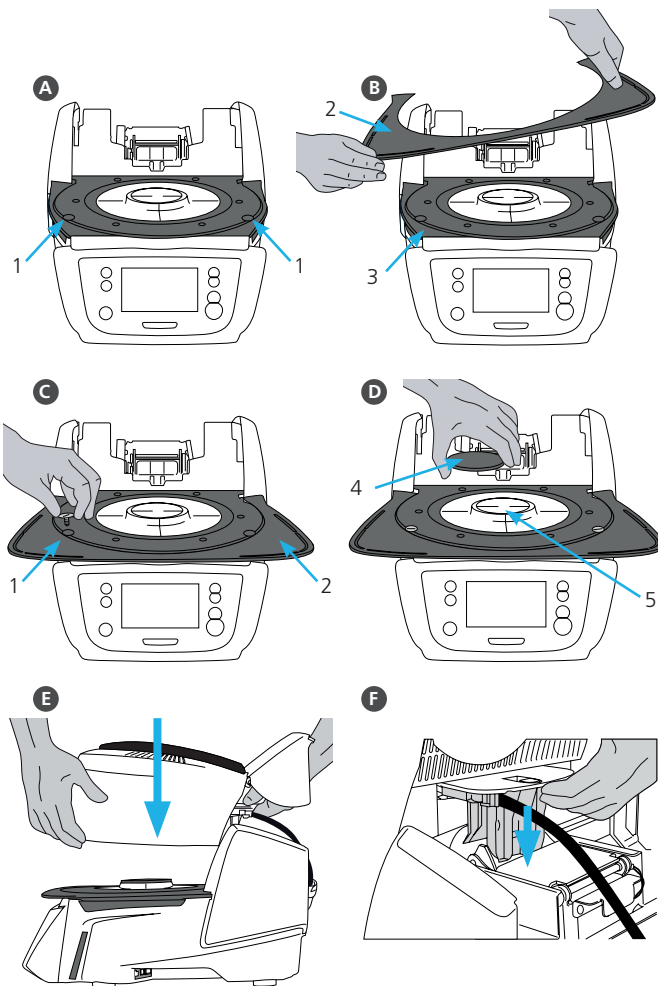
D Positionnement de la table de cuisson

La table de cuisson (4) peut alors être positionnée sur son support (5).

E Montage de la tête du four

Le plus simple est de monter la tête du four lorsque le panneau arrière du four se trouve face à l'utilisateur. Soulever des deux mains la tête du four, tel qu'indiqué sur l'image, et la positionner sur le support.

- F  Monter la tête du four tel qu'illustré sur l'image jusqu'à ce qu'elle se trouve en place et qu'un clic se fasse entendre. Veiller à ce que la table de cuisson et l'isolation ne soient pas endommagées pendant le montage de la tête du four.

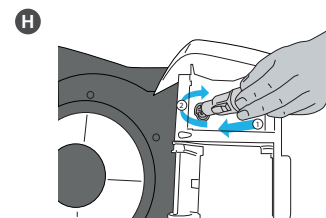
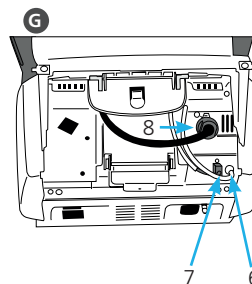


G Établir les branchements

Relier les câbles de la tête du four à la partie inférieure.

Procéder comme suit :

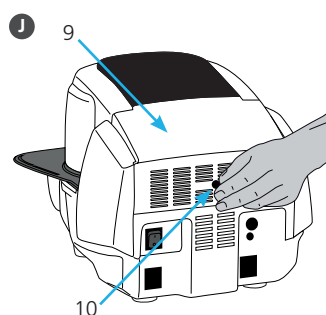
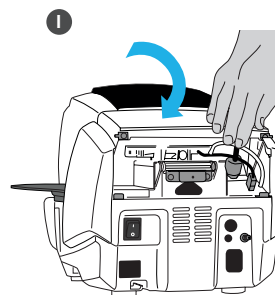
- Raccorder le tuyau de vide (6).
- Insérer la fiche du thermocouple (7) (veiller à bien respecter la polarité).
- Insérer la fiche de chauffe (8).



- H** Insérer la fiche de chauffe dans le connecteur spécifié. Sécuriser la fiche de chauffe grâce à une rotation de 45°.

I Fermeture du capot de protection

Une fois tous les câbles correctement reliés à la base du four, abaisser le capot (9) de protection des branchements jusqu'à ce qu'il soit en place et qu'un clic se fasse entendre.



J Montage du couvercle de protection des branchements

Le couvercle de protection des branchements (10) peut alors être monté et fixé à l'aide des vis.



Le four ne peut être utilisé qu'avec le capot de protection fermé et le couvercle de protection des branchements monté !

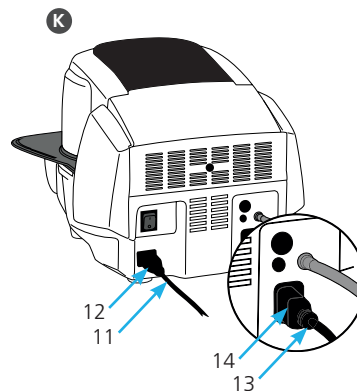
K Établir d'autres branchements

Alimentation

Veiller à ce que la tension indiquée sur la plaque d'identification soit conforme à l'alimentation locale. Relier ensuite le cordon d'alimentation (11) à la prise correspondante du Programat (12).

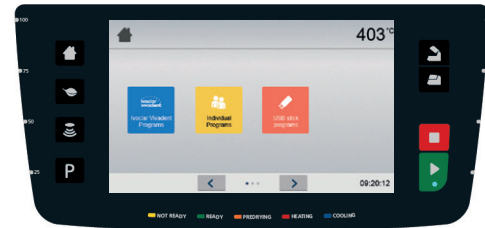
Branchements de la pompe à vide

Relier la fiche de la pompe à vide (13) à la prise de la pompe (14). Nous recommandons l'utilisation exclusive de la pompe à vide d'Ivoclar Vivadent, celle-ci étant spécialement adaptée à ce four. En cas d'utilisation d'une autre pompe, respecter impérativement la consommation maximale indiquée.



3. Interface utilisateur

Le Programat P510 G2 est doté d'un grand écran couleur. Le clavier et l'écran tactile permettent une utilisation conviviale. Appuyer légèrement sur l'écran tactile du bout des doigts permet d'activer les boutons. Le four exécute alors la fonction demandée.



Clavier :



Accueil

Retour à l'écran d'accueil (menu principal)



Bouton d'économie d'énergie

Ce bouton permet d'activer la fonction d'économie d'énergie.



Ouverture de la tête du four



START (LED de démarrage)

Permet de lancer le programme sélectionné. La LED verte indique qu'un programme est en cours. Si le programme est interrompu (1 x STOP), la LED de démarrage clignote jusqu'à ce que le bouton START soit à nouveau activé pour reprendre le programme.



Bouton Programme

1^{re} activation : Le programme sélectionné s'affiche.

2^e activation : La sélection du programme par saisie du numéro est activée.



Fermeture de la tête du four



STOP

Un programme en cours peut être interrompu en appuyant sur le bouton STOP et annulé en appuyant deux fois. Le bouton STOP permet d'immobiliser la tête du four à n'importe quel moment. Les signaux sonores peuvent être désactivés au moyen du bouton STOP.

4. Fonctionnement

A Mise sous tension du four

Relier le cordon d'alimentation à la prise murale.
Placer l'interrupteur sur la position "I".

Après l'autotest, l'écran d'accueil apparaît. Toutes les fonctions du Programat peuvent être sélectionnées sur cet écran. Cliquer sur le bouton d'accueil pour retourner à l'écran correspondant.

B Sélection des types de programmes

Le four comprend plusieurs types de programmes

a. Programmes pour matériaux Ivoclar Vivadent

b. 500 programmes individuellement programmables

C Sélection des groupes de programmes

Les types de programmes sont répartis en groupes de programmes.

Chaque groupe comprend 20 programmes.

D Sélection d'un programme

Sélectionner le programme désiré.

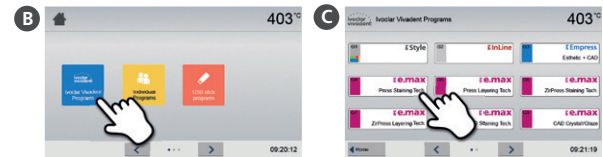
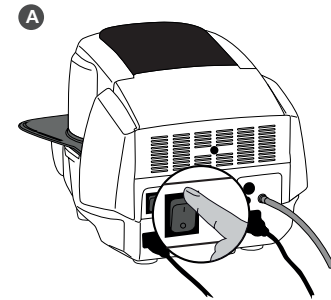
Chargement du four

Ouvrir la tête du four en appuyant sur le bouton OUVRIRE LA TÊTE DU FOUR et placer l'objet à cuire sur son support de cuisson dans le four.

E Démarrage d'un programme

Appuyer sur le bouton START pour démarrer le programme. La LED passe au vert. La courbe de cuisson indique la progression du programme.

À la fin du programme, la tête du four s'ouvre automatiquement. Dès que l'affichage passe au vert, le four est disponible et le programme suivant peut être lancé.



5. Modification des paramètres de cuisson

Les paramètres peuvent être définis ou modifiés en deux étapes.

Exemple : Réglage de la température de cuisson

- A** Appuyer sur le bouton [T].
- B** Saisir la température de cuisson souhaitée et confirmer en appuyant sur le bouton vert.

La température de cuisson a été modifiée avec succès. Tous les paramètres indiqués sur la courbe de cuisson peuvent être modifiés/édités selon la même procédure.



Modification des options d'un programme

Appuyer sur le bouton [Options] permet d'ouvrir le menu des options de programme complémentaires.

par ex. : activation de la protection d'écriture du programme

- A** Appuyer sur le bouton [Options].
- B** Modifier l'option souhaitée et retourner à l'aperçu du programme en appuyant sur le bouton [Fermer].

Appuyer sur les boutons [Flèche] permet de naviguer dans les pages d'options.



Se reporter au Mode d'emploi pour en savoir plus.

6. Données techniques et conditionnement

6.1 Données techniques

Alimentation électrique	110–120 V / 50–60 Hz 200–240 V / 50–60 Hz
Catégorie de surtension	II
Degré de contamination	2
Variations de tension autorisées	± 10 %
Consommation max.	14 A à 100 V 12 A à 110–120 V 8 A à 200–240 V
Données autorisées pour autres pompes à vide : Puissance max. : Vide final :	250 W / Courant de fuite max. 0,75 mA < 50 mbar Utiliser uniquement des pompes contrôlées
Fusibles électriques	110 – 120 V : 125 V / T15A (chauffe) 125 V / T5A (pompe à vide)
	200 – 240 V : 250 V / T8A (chauffe) 250 V / T3,15A (pompe à vide)
Dimensions des fusibles	110 – 120 V : Diamètre 6,3 x 32 mm 200 – 240 V : Diamètre 5 x 20 mm
Dimensions du four fermé	Profondeur : 495 mm Largeur : 320 mm / 395 mm (avec tablette) Hauteur : 320 mm
Dimensions utiles de la chambre de cuisson	Diamètre : 90 mm Hauteur : 80 mm
Température de cuisson max.	1200 °C
Poids	18,7 kg

Informations de sécurité

Le four a été construit conformément aux normes suivantes :

IEC 61010-1:2010
IEC 61010-1:2010/AMD1:2016
EN 61010-1:2010/A1:2019
UL 61010-1:2012/R:2019-07
CAN/CSA-C22.2 No. 61010-1:2012/A1:2018-11

EN 61010-2-010:2020
IEC 61010-2-010:2019
UL 61010-2-010:2019
CAN/CSA-C22.2 No. 61010-2-010:2019

Protection antiparasite et compatibilité électromagnétique : conforme CEM

6.2 Conditions d'utilisation autorisées

- Température ambiante autorisée : +5 °C à +40 °C
- Plage d'humidité autorisée : Humidité relative max. 80 % pour des températures jusqu'à 31 °C, décroissance linéaire jusqu'à 50 % à 40 °C, sans condensation.
- Pression ambiante autorisée : L'appareil a été testé jusqu'à une altitude de 2000 m au-dessus du niveau de la mer.

6.3 Conditions de transport et de stockage autorisées

- Plage de température autorisée : –20 °C à +65 °C
- Plage d'humidité autorisée : Humidité relative max. 80
- Pression ambiante autorisée : 500 mbar à 1060 mbar

Pour le transport, utiliser exclusivement l'emballage d'origine ainsi que les cales en polystyrène correspondantes.

7. Entretien, nettoyage et diagnostic

Le chapitre 7 du mode d'emploi complet de cet appareil contient des descriptions détaillées des procédures d'entretien, de nettoyage et de diagnostic de l'appareil.

Seules les tâches listées peuvent être effectuées par des prothésistes dentaires ou des professionnels de laboratoire dentaire qualifiés. Tous les autres travaux restent du domaine des spécialistes du Service Après-Vente agréé.

Informations générales sur les travaux de contrôle et d'entretien

Le nombre des travaux de maintenance dépend fortement de la fréquence d'utilisation de l'appareil et de la méthode de travail de l'utilisateur. Pour cette raison, les valeurs recommandées ne sont qu'indicatives.

8. Élimination de l'appareil



Le chapitre 2 du mode d'emploi détaillé de cet appareil contient des informations sur l'élimination correcte et appropriée de l'appareil.

L'appareil ne peut être jeté avec les ordures ménagères.

L'appareil usagé doit être recyclé par des professionnels selon la directive CE. Vous trouverez de plus amples informations sur le traitement des déchets sur la page d'accueil du site Ivoclar Vivadent de votre pays.

Programat® P510_{G2}

Istruzioni d'uso brevi

Gentile Cliente

Ci congratuliamo con Lei per l'acquisto del forno Programat® P510 G2. Per facilitare la messa in funzione ed il primo utilizzo dell'apparecchio, abbiamo realizzato la presente Istruzione d'uso breve.



La presente versione breve non sostituisce assolutamente le Istruzioni d'uso complete.

La preghiamo pertanto di leggere attentamente anche le Istruzioni d'uso e di attenersi alle indicazioni ed avvertenze.

Le Istruzioni d'uso sono scaricabili dal sito Ivoclar Vivadent nella sezione Download: <http://www.ivoclarvivadent.com>.

Le auguriamo buon lavoro e tanto successo con Programat P510 G2.

1. Uso conforme alle norme

Destinazione d'uso e utilizzo

Il forno Programat P510 G2 è un forno per la cottura di ceramica per il settore dentale, espressamente sviluppato per l'impiego nel laboratorio odontotecnico. La camera di cottura può essere riscaldata, tramite un termoelemento, fino ad un massimo di 1200 °C.

La camera di cottura inoltre è stata concepita in modo tale da creare il vuoto, grazie ad una apposita pompa. Un'elettronica con relativo software guida il decoro del programma di cottura. Avviene un costante confronto fra temperatura nominale e temperatura effettiva.

Utilizzare il forno Programat P510 G2 esclusivamente per il processo di cottura di masse ceramiche dentali. Un impiego diverso, come ad esempio il riscaldare cibo, la cottura di altri materiali, ecc. corrisponde ad un uso non conforme. Il produttore non si assume alcuna responsabilità per danni derivanti da un uso improprio. Qualsiasi rischio derivante dalla mancata osservanza di queste istruzioni è ad esclusivo carico dell'utilizzatore.

Inoltre, per un utilizzo conforme sono necessari:

- L'osservanza delle indicazioni, prescrizioni e note contenute nelle presenti Istruzioni d'uso brevi.
- L'osservanza delle indicazioni, prescrizioni e note contenute nelle Istruzioni d'Uso del materiale.
- L'osservanza delle previste norme di impiego e norme ambientali (vedi capitolo 6).
- La corretta manutenzione del Programat P510 G2.

Informazioni supplementari

L'apparecchio è stato realizzato per un utilizzo nel campo dentale. Installazione e utilizzo dell'apparecchio devono avvenire secondo le Istruzioni d'Uso. Il produttore non si assume alcuna responsabilità per danni risultanti dalla mancata osservanza delle istruzioni d'uso o da utilizzi diversi dal campo d'applicazione previsto per il prodotto. L'utente è tenuto a controllare personalmente l'idoneità dell'apparecchio per qualsiasi impiego da lui previsto, ancor più se questi impieghi non sono riportati nelle presenti Istruzioni d'Uso.

Per le informazioni relative alla pulizia dell'apparecchio consultare le Istruzioni d'uso. Per le informazioni relative al corretto posizionamento di materiali relativi a questo apparecchio, consultare le Istruzioni d'uso complete oppure le Istruzioni d'uso del materiale da utilizzare.

Avvertenze di sicurezza

Pericolo	Tipo di pericolo
Camera di cottura	Pericolo di ustioni
Meccanismo di apertura/chiusura	Pericolo di contusioni
Componenti elettriche (cavi e allacciamenti)	Pericolo di scossa elettrica

Avvertenze di sicurezza relative alla funzione

L'apparecchio deve essere messo in funzione soltanto da personale specializzato istruito ed autorizzato.

- Tenere a distanza dall'apparecchio persone non autorizzate come pazienti, bambini o animali.
- In tutti i casi di dubbio in merito alla sicurezza dell'apparecchio, staccarlo dalla rete elettrica e prendere idonei provvedimenti per impedirne un ulteriore uso.
- Prima della messa in funzione o accensione, controllare che l'apparecchio, gli accessori e i dispositivi di protezione siano privi di eventuali danni.
- Non utilizzare l'apparecchio o gli accessori danneggiati, privi di funzionalità, bensì avvisare il partner di assistenza autorizzato.
- Per assicurare la sicurezza del prodotto e la garanzia, l'apparecchio deve essere messo in funzione esclusivamente con accessori originali Ivoclar Vivadent, soprattutto con il cavo di rete originale.
- L'utilizzatore si assume il rischio in caso di utilizzo di accessori non deliberati.
- Per evitare un danno all'apparecchio ed una riduzione delle prestazioni, rispettare le indicazioni di pulizia ed i cicli di pulizia previsti.
- Impiegare l'apparecchio senza sorveglianza soltanto se possono essere soddisfatti i requisiti descritti qui di seguito.

Funzione senza sorveglianza

L'apparecchio può essere messo in funzione senza sorveglianza qualora le leggi e le ordinanze nazionali e locali lo consentano e vengano rispettate. Devono inoltre essere rispettate le direttive della relativa compagnia di assicurazione.

- Non utilizzare in alcun caso l'apparecchio in un ambiente di lavoro molto sporco.
- Proteggere l'apparecchio dall'accesso di persone non autorizzate.

Avvertenze di sicurezza

Questo apparecchio è costruito secondo la norma EN 610101 ed è immesso sul mercato in perfetto stato dal punto vista tecnico e di sicurezza. Per mantenere l'apparecchio in questo stato ed assicurare un impiego privo di pericolo, l'utente deve osservare le note e le avvertenze contenute nelle presenti Istruzioni d'Uso:

- l'operatore deve soprattutto essere a conoscenza delle avvertenze e delle condizioni di funzionamento per evitare danni a persone e materiali. In caso di danni riscontrati in seguito ad uso improprio e/o non corrispondente alle prescrizioni, decade qualsiasi rivendicazione di responsabilità e di garanzia.
- Prima dell'accensione, assicurarsi che la tensione indicata sull'apparecchio corrisponda a quella della rete elettrica.
- Assicurarsi che le prese con messa a terra siano dotate di un interruttore differenziale (FI).
- La spina di allacciamento funge da dispositivo di distacco dalla rete elettrica e deve essere inserita soltanto in una presa di facile accesso e dotata di contatto di sicurezza.
- E' consentito soltanto l'uso degli allacciamenti in dotazione o di allacciamenti equivalenti.
- Non posizionare su superfici infiammabili: rispettare le norme nazionali (ad es. distanze verso componenti infiammabili, etc.).
- Assicurarsi di tenere sempre libere le fessure di areazione ai lati e sul retro dell'apparecchio.
- Durante il funzionamento del forno non toccare parti e componenti in fase di riscaldamento. Pericolo di ustioni!
- Nel prelevare oggetti caldi dalla camera di cottura (ad es. piano di cottura, portaoggetti) prestare attenzione a non posizionarli su superfici infiammabili!
- Pulire l'apparecchio solo con un panno morbido asciutto. Non utilizzare solventi! Prima della pulizia staccare la spina dalla corrente e lasciare raffreddare!
- L'apparecchio deve essere freddo, prima di essere imballato per la spedizione.

- Per il trasporto utilizzare l'imballaggio originale.
- Se si rendesse necessaria un'apertura dell'apparecchio, staccarlo da ogni fonte di tensione e lasciarlo raffreddare, prima di eseguire una registrazione, una manutenzione, una riparazione o una sostituzione di componenti dell'apparecchio.
- Se dovesse risultare indispensabile una registrazione, una manutenzione o una riparazione sull'apparecchio aperto e sotto tensione, ciò deve avvenire soltanto per mezzo di personale specializzato a conoscenza dei relativi pericoli.
- Dopo i lavori di manutenzione, devono essere eseguiti i controlli di sicurezza (resistenza all'alta tensione, controllo del conduttore di protezione, ecc.).
- In caso di sostituzione, assicurarsi che vengano utilizzati soltanto fusibili del tipo indicato e della corrente nominale indicata.
- Utilizzare soltanto ricambi originali.
- Nel caso si presuma che non sia più possibile un impiego privo di pericoli, staccare l'apparecchio dalla rete di corrente ed assicurarsi che non possa essere messo in funzione accidentalmente.
- Quando l'apparecchio mostra visibili danni, staccarlo dalla rete di corrente e accertarsi che non possa essere messo in funzione inavvertitamente.
- In seguito a conservazione per lungo tempo in condizioni sfavorevoli, deve essere controllato il corretto funzionamento dell'apparecchio.
- Se l'apparecchio non lavora più correttamente, staccarlo dalla rete di corrente ed assicurarsi che non possa essere messo in funzione accidentalmente.
- Per garantire un impiego privo di disturbi, l'apparecchio deve essere utilizzato ad una temperatura da +5 °C a +40 °C.
- Se l'apparecchio è stato conservato in luogo molto freddo o con un'elevata umidità dell'aria, prima dell'utilizzo, è necessario sottoporre l'apparecchio ad un tempo di asciugatura/adattamento alla temperatura di ca. 4 ore a temperatura ambiente, senza allacciarlo alla tensione di rete.
- L'apparecchio è testato per altitudini fino a 2000 m s.l.m.
- L'apparecchio può essere utilizzato soltanto in locali interni.
- Prima di lasciare la fabbrica, la funzionalità degli apparecchi viene testata per diverse ore. E' pertanto possibile, che nel corso di questi test si verifichino leggere decolorazioni dell'isolamento. L'apparecchio Programat acquistato è tuttavia, un apparecchio nuovo.



Qualora si verifichi un difetto/guasto all'apparecchio, qualsiasi interruzione del conduttore di protezione all'interno o all'esterno dell'apparecchio, oppure il distacco dell'allacciamento del conduttore di protezione può rappresentare un pericolo per l'utilizzatore. Non è ammessa l'interruzione volontaria.



Non devono essere inseriti materiali che, sottoposti a cottura, producano gas nocivi!



Avvertenze riguardanti lo smontaggio della resistenza

L'isolamento contiene lane policristalline, può quindi liberare polvere di fibre. La polvere di fibre si è dimostrata essere cancerogena negli esperimenti sugli animali. La resistenza può essere smontata soltanto dal Servizio Assistenza qualificato. Per informazioni in merito alla Scheda di Sicurezza rivolgersi al Servizio Assistenza qualificato.

- In caso di eventi di grave entità, verificatisi in relazione al prodotto, rivolgersi a Ivoclar Vivadent AG, Belderstrasse 2, 9494 Schaan/Liechtenstein, sito web: www.ivoclarvivadent.com ed alla propria Autorità Sanitaria di competenza.
- Le Istruzioni d'Uso vigenti sono disponibili nella sezione Download del sito web di Ivoclar Vivadent AG (www.ivoclarvivadent.com).

Spiegazione dei simboli:

Simbolo	Avvertenza
	Pericolo di scottature
	Pericolo di contusioni
	E' obbligatorio leggere le istruzioni d'uso

2. Installazione

Prelevare le componenti dell'apparecchio dall'imballaggio e posizionarle su una superficie idonea. Si prega di attenersi alle indicazioni riportate sul cartone esterno. Controllare che la tensione indicata sulla targhetta corrisponda a quella della rete. Se non corrisponde, l'apparecchio non deve essere collegato!

A Montaggio della piastra d'appoggio

Rimuovere le due viti di fissaggio per la piastra d'appoggio (1).

B Appoggiare la piastra d'appoggio (2) sul telaio (3), prestando attenzione che sia appoggiata correttamente.


C Fissare la piastra d'appoggio con le due viti di fissaggio (1).

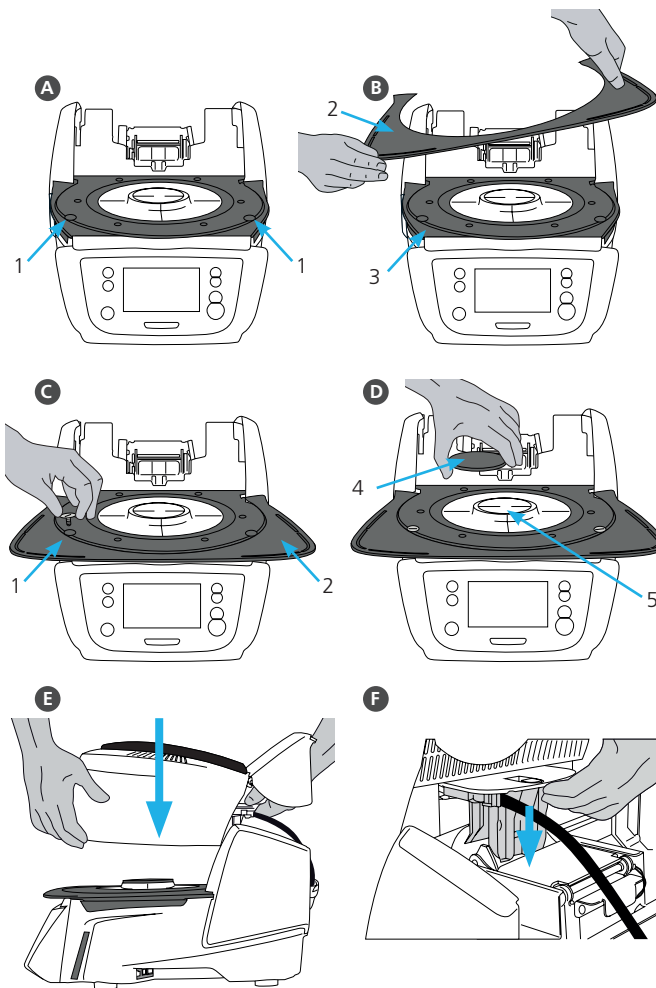
D Inserimento del piano di cottura

Inserire quindi il piano di cottura (4) nell'apposito alloggiamento (5).

E Montaggio della cappa del forno

Il modo più semplice per montare la cappa, è quello di posizionare la base del forno con il retro dell'apparecchio rivolto verso l'operatore. Sollevare la cappa con entrambe le mani come da immagine e posizionarla sull'apposito supporto.

F  Inserire la cappa come illustrato nell'immagine, fino a percepire uno scatto. Durante il montaggio, prestare attenzione a non danneggiare il piano di cottura e l'isolamento.

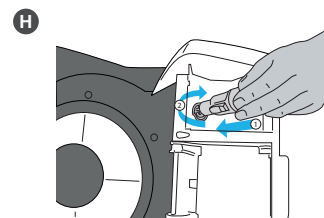
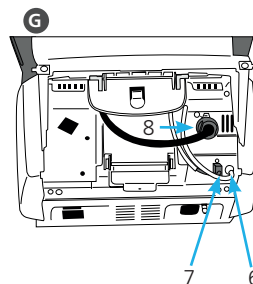


G Allacciamenti

Collegare i cavi della cappa con la base del forno.

Procedere come segue:

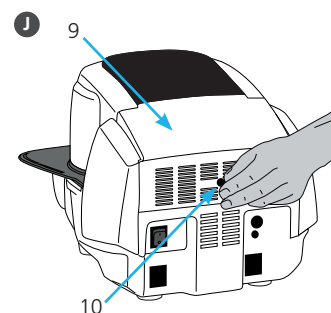
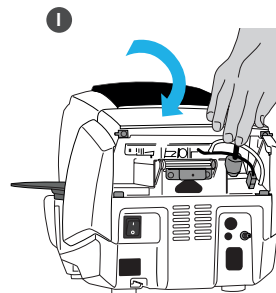
- collegare il tubo per il vuoto (6)
- inserire la spina del termoelemento (7) (prestare attenzione alla corretta polarizzazione)
- inserire la spina della resistenza (8)



H Inserire la spina della resistenza nell'apposito allacciamento, fissandola con un movimento di 45°.

I Chiusura della cappa

Una volta collegati correttamente i cavi con la base del forno, chiudere la copertura (9) per proteggere gli allacciamenti finché si avverte uno scatto.



J Montaggio della copertura degli allacciamenti

Ora è possibile montare la copertura posteriore allacciamenti (10) e fissarla con le viti di fissaggio.



L'apparecchio può essere utilizzato soltanto con copertura chiusa e copertura posteriore allacciamenti montata!

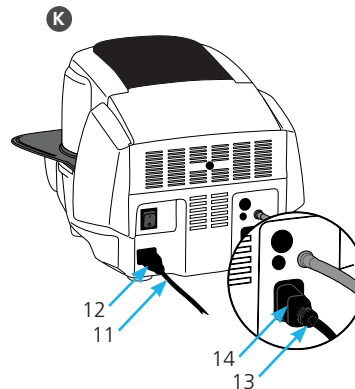
K Allacciamento elettrico

Allacciamento alla rete

Prima dell'allacciamento, controllare che la tensione di rete corrisponda a quella riportata sulla targhetta. Quindi collegare il cavo (11) con la presa dell'apparecchio (12).

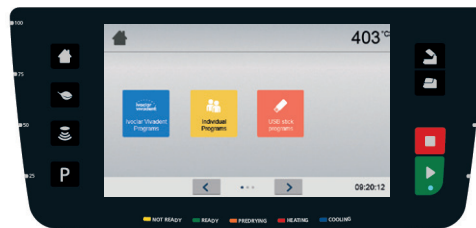
Allacciamento pompa del vuoto

Inserire la spina della pompa del vuoto (13) nell'apposita presa dell'apparecchio (14). Si consiglia l'utilizzo di una pompa per il vuoto Ivoclar Vivadent, perché queste pompe sono specificatamente calibrate con il forno. In caso di utilizzo di un altro tipo di pompa, è assolutamente necessario attenersi all'assorbimento di potenza massimo ammesso riportato sulla targhetta.



3. Interfaccia utente

Il Programat P510 G2 dispone di un ampio display a colori. L'utilizzo intuitivo avviene tramite tasti e schermo a sfioramento. Premendo leggermente si attivano i tasti e l'apparecchio esegue la funzione desiderata.



Tastiera:



Home

Passaggio a videata Home (menù principale)



Tasto risparmio energetico

Con questo tasto si attiva la funzione di risparmio energetico.



Apertura cappa del forno



START (LED Start)

Avvia il programma selezionato. Il LED verde indica un programma attivo. Se il programma è in pausa (1 x STOP), il LED del tasto Start lampeggia fino a ripresa del programma con il tasto START.



Tasto Programma

Premuto una volta: visualizzazione del programma scelto.

Premuto due volte: passaggio alla scelta del programma tramite inserimento numerico.



Chiusura cappa del forno



STOP

Un programma attivo può essere messo in pausa premendo il tasto STOP una volta e terminato premendolo il tasto STOP per due volte. Il movimento della cappa del forno può essere interrotto in qualsiasi momento premendo STOP. Il segnale acustico può essere disattivato premendo il tasto STOP.

4. Utilizzo

A Accensione

Collegare il cavo di allacciamento con la rete.
Portare l'interruttore On/Off in posizione "I".

Dopo l'autodiagnosi dell'apparecchio compare la videata Home.
Da questa schermata si possono selezionare tutte le funzioni del Programat.
Con il tasto HOME si passa alla schermata Home.

B Selezione del tipo di programma

Il forno offre principalmente due tipi di programma:

- Programmi per materiali Ivoclar Vivadent
- 500 programmi liberi, impostabili individualmente

C Selezione del gruppo di programma

I tipi di programma sono divisi in gruppi di programmi.
Ogni gruppo di programma dispone di 20 programmi.

D Scelta del programma

Selezionare il programma desiderato.

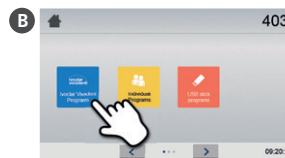
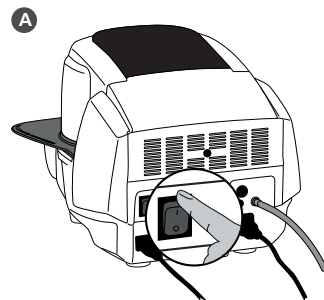
Posizionamento del restauro

Aprire la cappa del forno con il tasto apertura cappa del forno e posizionare il restauro con il portaoggetti nel forno.

E Avvio programma

Premendo il tasto START, il programma viene avviato. Il LED verde si illumina. Sull'immagine della curva di cottura si può osservare il decorso.

Al termine del programma, la cappa del forno si apre automaticamente. Non appena la visualizzazione OSD si illumina di colore verde, il forno è disponibile per l'avvio del prossimo programma.



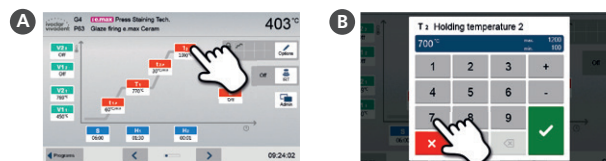
5. Modifica dei parametri di cottura

L'inserimento dei parametri avviene in due fasi.

Esempio: Inserimento della temperatura di tenuta

- A** Premere il tasto [T]
- B** Digitare la temperatura di tenuta desiderata e confermare con il tasto verde.

La temperatura di tenuta è stata modificata con esito positivo. Tutti gli altri parametri raffigurati nella curva di cottura possono essere modificati allo stesso modo.



Modifica opzioni programma

Premendo il tasto [Opzioni] si apre il menù con le opzioni avanzate del programma:

Esempio: apertura protezione da scrittura

- A** Premere il tasto [Opzioni]
- B** Modificare l'opzione desiderata e tornare nella visualizzazione programma con il tasto [Chiudere].

Con i tasti [freccia] si può navigare fra le singole pagine delle opzioni.



Per ulteriori informazioni, consultare le Istruzioni d'Uso.

6. Dati tecnici e condizioni di funzionamento

6.1 Dati tecnici

Alimentazione	110–120 V / 50–60 Hz 200–240 V / 50–60 Hz
Categoria di sovratensione	II
Grado di inquinamento	2
Oscillazioni di tensione ammesse	± 10 %
Assorbimento di potenza max.	14 A a 100 V 12 A a 110–120 V 8 A a 200–240 V
Dati ammessi per pompe di altri produttori: Potenza massima: Vuoto finale:	250 W / corrente dispersa max. 0,75 mA < 50 mbar utilizzare solo pompe certificate
Fusibili elettrici	110 – 120 V: 125 V / T15A (circuito di riscaldamento) 125 V / T5A (pompa per il vuoto)
	200 – 240 V: 250 V / T8A (circuito di riscaldamento) 250 V / T3.15A (pompa per il vuoto)
Dimensioni dei fusibili elettrici	110–120 V: Diametro 6,3 x 32 mm 200–240 V: Diametro 5 x 20 mm
Dimensioni del forno chiuso	Profondità: 495 mm Larghezza: 320 mm / 395 mm (con piastra d'appoggio) Altezza: 320 mm
Camera di cottura, spazio utile	Diametro: 90 mm Altezza: 80 mm
Temperatura di cottura massima	1200 °C
Peso	18,7 kg

Avvertenze di sicurezza

Il forno è conforme alle seguenti normative:

IEC 61010-1:2010
IEC 61010-1:2010/AMD1:2016
EN 61010-1:2010/A1:2019
UL 61010-1:2012/R:2019-07
CAN/CSA-C22.2 No. 61010-1:2012/A1:2018-11

EN 61010-2-010:2020
IEC 61010-2-010:2019
UL 61010-2-010:2019
CAN/CSA-C22.2 No. 61010-2-010:2019

Protezione radio/compatibilità elettromagnetica: testato EMC

6.2 Condizioni ammesse per l'utilizzo

- Temperatura ambientale ammessa: da +5 °C a +40 °C
- Campo di umidità ammessa: Umidità relativa 80 % per temperature fino a 31 °C, decrescente linearmente fino a 50% di umidità relativa a 40 °C, esclusa condensa.
- Pressione atmosferica ammessa: L'apparecchio è testato per altitudini fino a 2000 m s.l.m.

6.3 Condizioni ammesse per il trasporto e lo stoccaggio

- Campo di temperatura ammessa: da –20 °C a +65 °C
- Campo di umidità ammessa: Umidità relativa massima 80%
- Pressione atmosferica ammessa: Da 500 mbar a 1060 mbar

Per il trasporto utilizzare soltanto l'imballaggio originale con i relativi inserti in schiuma espansa.

7. Manutenzione, pulizia e diagnosi

Nel capitolo 7 delle Istruzioni d'Uso complete del presente apparecchio vengono descritte dettagliatamente la manutenzione, la pulizia e la diagnosi dell'apparecchio.

Solo i lavori elencati possono essere eseguiti da personale odontotecnico o odontoiatrico specializzato. Tutti i restanti lavori devono essere eseguiti da personale specializzato del Servizio Assistenza qualificato.

Informazioni generali relative ai lavori di controllo e manutenzione

La frequenza di esecuzione di questi lavori di manutenzione dipende dall'intensità di utilizzo e dall'impiego dell'utilizzatore. Per questo motivo i valori consigliati sono solo valori orientativi.

8. Smaltimento dell'apparecchio



Nel capitolo 2 delle Istruzioni d'Uso complete dell'apparecchio viene descritto il corretto smaltimento dell'apparecchio.

L'apparecchio non deve essere smaltito con i normali rifiuti urbani. Smaltire l'apparecchio in modo corretto secondo la Direttiva CE. Si trovano informazioni in merito allo smaltimento anche sul sito web nazionale Ivoclair Vivadent.

Programat® P510_{G2}

Instrucciones breves

Estimado cliente

Gracias por comprar el Programat® P510 G2. Para facilitar al máximo la instalación y el uso inicial del horno, hemos preparado estas breves instrucciones.



Estas breves instrucciones no sustituyen de ninguna manera a las instrucciones de funcionamiento detalladas. Por lo tanto, le rogamos que lea detenidamente las instrucciones de funcionamiento y que siga los avisos contenidos en ellas. Puede encontrar las instrucciones de funcionamiento en la sección de descargas de <http://www.ivoclarvivadent.com>.

Disfrute trabajando con el Programat P510 G2.

1. Uso previsto

Propósito y uso previstos

El Programat P510 G2 es un horno de cerámica para el uso en odontología. Se ha desarrollado específicamente para su uso en laboratorios dentales. La cámara de cocción se puede calentar hasta un máximo de 1200 °C por medio del elemento térmico.

Además, la cámara de cocción se ha diseñado de forma que se pueda generar un vacío con una bomba de vacío. Los componentes electrónicos con el software correspondiente monitorizan y controlan los programas de cocción. Asimismo, se comparan continuamente las temperaturas predeterminadas y las reales.

Utilice el Programat P510 G2 exclusivamente para el proceso de cocción de materiales cerámicos dentales. Están contraindicados otros usos distintos a los indicados, como cocinar alimentos, cocer otros materiales, etc. El fabricante no asume ninguna responsabilidad por los daños resultantes del uso incorrecto. El usuario es el único responsable de cualquier riesgo resultante del incumplimiento de estas instrucciones.

Instrucciones adicionales para garantizar un uso adecuado del horno:

- Deben tenerse en cuenta las instrucciones, normativas y avisos de estas Instrucciones breves.
- Deben tenerse en cuenta las instrucciones, normativas y avisos de las instrucciones de uso del material utilizado.
- El horno se debe utilizar en las condiciones ambientales y de funcionamiento indicadas (véase el capítulo 6).
- El Programat P510 G2 debe someterse a un mantenimiento apropiado.

Información adicional

El aparato se ha desarrollado exclusivamente para su uso en odontología. Para su puesta en marcha y manipulación, deben seguirse estrictamente las instrucciones de funcionamiento. El fabricante no se hace responsable de los daños ocasionados por otros usos o por una manipulación inadecuada. El usuario es el único responsable de comprobar la idoneidad del aparato para cualquier fin diferente al explicitado en las instrucciones.

Puede encontrar información sobre la limpieza del horno en las Instrucciones de funcionamiento. La información sobre el posicionamiento correcto de los materiales con respecto a este horno se puede encontrar en las Instrucciones de funcionamiento del horno o en las Instrucciones de uso del material respectivo.

Avisos de seguridad

Zona peligrosa	Tipo de riesgo
Cámara de cocción	Riesgo de quemaduras
Mecanismo de apertura/cierre	Riesgo de aplastamiento
Componentes eléctricos (cables y conexiones)	Riesgo de descargas eléctricas

Información de seguridad para el funcionamiento

El aparato solo puede ser utilizado por personal técnico autorizado y capacitado.

- Mantenga a las personas no autorizadas, como pacientes, niños y animales, fuera del alcance del producto.
- En caso de duda sobre la seguridad del aparato, apáguelo y tome las medidas oportunas para que no se vuelva a utilizar.
- Antes de conectarlo a la red o de ponerlo en funcionamiento, compruebe el aparato, los accesorios y el equipo de protección para comprobar que no estén dañados.
- No utilice equipos ni accesorios dañados o que no funcionen. Informe al servicio técnico autorizado.
- Con el fin de garantizar la fiabilidad del aparato y los servicios de la garantía, el aparato se debe utilizar exclusivamente con los accesorios de Ivoclar Vivadent, en particular, el adaptador de corriente original.
- El usuario asume el riesgo de utilizar accesorios no autorizados.
- Para evitar daños en el aparato y una reducción del rendimiento del mismo, observe los requisitos y ciclos de limpieza.
- Solo utilice el aparato sin supervisión si se cumplen las condiciones de funcionamiento para la utilización sin supervisión descritas a continuación.

Funcionamiento sin supervisión

El aparato se puede utilizar sin supervisión, siempre que la legislación y las disposiciones nacionales y locales lo permitan y siempre que se respeten dichas disposiciones. Además, se deben cumplir los requisitos de la respectiva compañía aseguradora.

- No utilice nunca el aparato si el entorno de trabajo está muy sucio.
- Proteja el aparato del acceso no autorizado.

Avisos de seguridad

Este horno se ha diseñado de acuerdo con EN 61010-1 y, en lo que a directiva de seguridad se refiere, se ha transportado en óptimas condiciones desde la fábrica. Para mantener dicho estado y garantizar un funcionamiento sin riesgos, el usuario deberá cumplir los avisos y advertencias contenidos en estas instrucciones de funcionamiento.

- El usuario debe familiarizarse especialmente con las advertencias y condiciones de funcionamiento para evitar lesiones personales y daños en materiales. El fabricante no es responsable de los daños que resulten de un uso incorrecto o de la no observancia de las instrucciones de funcionamiento. La garantía no cubre dichos casos.
- Antes de conectar el horno, asegúrese de que la tensión indicada en la placa de características coincide con la de su suministro eléctrico local.
- La toma de corriente debe contar con un dispositivo de corriente residual (RCD).
- El enchufe de alimentación actúa como disyuntor y solo puede conectarse con una toma de corriente de fácil acceso con contacto de protección.
- Utilice únicamente el cable de alimentación original suministrado.
- Coloque el horno sobre una mesa ignífuga: Cumpla las normativas locales (por ejemplo, distancia a sustancias u objetos combustibles, etc.).
- Asegúrese de que las rejillas de ventilación laterales y traseras siempre estén despejadas.
- No toque superficies calientes durante el funcionamiento del horno. Riesgo de quemaduras
- Al retirar componentes calientes de la cámara de cocción (por ejemplo, mesa de cocción, bandeja de cocción), asegúrese de colocarlos sobre una superficie ignífuga.
- Limpie el horno solo con un paño seco y suave. No utilice disolventes. Desenchufe el horno y deje que se enfríe antes de limpiarlo.

- El horno debe estar frío antes de embalarlo para su transporte.
- Para el transporte, utilice únicamente el embalaje original.
- El horno se debe desenchufar y dejar enfriar si es necesario abrirlo antes del calibrado, mantenimiento, reparación o cambio de piezas.
- Si es necesario llevar a cabo un calibrado, mantenimiento o reparación con el horno conectado a la red eléctrica y abierto, estas acciones solo podrán ser realizadas por personal cualificado que esté familiarizado con los riesgos y peligros.
- Después del mantenimiento, se deben llevar a cabo las pruebas requeridas de seguridad (resistencia a alta tensión, conductor protector, etc.).
- Asegúrese de utilizar solo fusibles del tipo e intensidad indicados.
- Utilice únicamente piezas de repuesto originales.
- Si sospecha que ya no es posible usarlo de forma segura, el horno se debe desenchufar para evitar un funcionamiento accidental.
- Si el horno muestra daños visibles, se debe desenchufar de la red eléctrica para evitar un funcionamiento accidental.
- Compruebe el funcionamiento correcto del aparato después de almacenarlo en condiciones desfavorables durante un periodo de tiempo prolongado.
- Si el horno no funciona correctamente, se debe desenchufar de la corriente para evitar un funcionamiento accidental.
- El intervalo de temperatura para un funcionamiento correcto es de +5 °C a +40 °C.
- Si el horno se ha almacenado a temperaturas muy bajas o una alta humedad atmosférica, se debe dejar que el horno se adapte a la temperatura ambiente durante aproximadamente 4 horas. No lo enchufe aún a la red eléctrica.
- Se ha comprobado el uso del horno hasta una altitud de 2000 m sobre el nivel del mar.
- El horno solo puede utilizarse en interiores.
- Antes de salir de fábrica, las funciones del horno se han probado durante varias horas. Es posible que estas pruebas hayan causado una ligera decoloración del aislamiento. Sin embargo, su horno Programat es un horno totalmente nuevo.



Cualquier ruptura del conductor protector bien dentro o fuera del horno o cualquier desconexión del conductor protector puede provocar daños al usuario en el caso de un mal funcionamiento. No se toleran interrupciones deliberadas.



No se deben cocer materiales que generen gases perjudiciales.



Advertencia para el desmontaje de la mufla de cocción

Este producto contiene fibras de cerámica y puede liberar polvo de fibras. El polvo de fibras ha resultado ser cancerígeno en experimentos en animales. Solo un centro de atención postventa certificado puede desmontar la mufla de cocción. La información sobre la Hoja de datos de seguridad también está disponible en su centro de atención postventa.

- En caso de incidentes graves relacionados con el producto, comuníquese con Ivoclar Vivadent AG, Belderstrasse 2, 9494 Schaan/Liechtenstein, sitio web: www.ivoclarvivadent.com, y con las autoridades competentes responsables.
- Las instrucciones de funcionamiento actualizadas están disponibles en la sección de descargas del sitio web de Ivoclar Vivadent AG (www.ivoclarvivadent.com).

Explicación de los símbolos:

Símbolo	Nota
	Riesgo de quemaduras
	Riesgo de aplastamiento
	Se deben consultar las instrucciones de funcionamiento

2. Instalación

Extraiga del embalaje todos los componentes del horno y coloque la unidad sobre una mesa adecuada. Tenga en cuenta las instrucciones del embalaje exterior. Asegúrese de que la tensión indicada en la placa de características cumple con el suministro eléctrico local. De lo contrario, el horno no debe conectarse.

A Montaje de la bandeja de enfriamiento

Retire ambos tornillos de la bandeja de enfriamiento (1).

B Coloque la bandeja de enfriamiento (2) sobre la placa de bastidor (3).

Asegúrese de que la bandeja de enfriamiento está colocada correctamente sobre la placa de bastidor.


C Sujete la bandeja de enfriamiento con los dos tornillos (1).

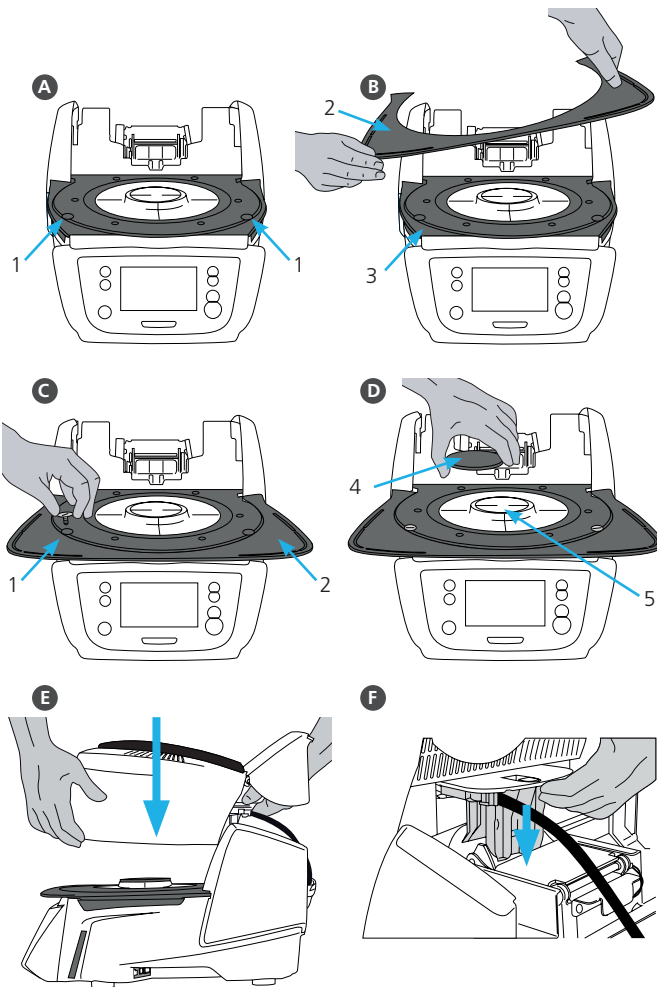
D Colocación de la placa de cocción

Ahora se puede colocar la placa de cocción (4) sobre el portaplaca de cocción (5).

E Montaje del cabezal del horno

La mejor manera de montar el cabezal del horno es colocando el panel posterior del horno mirando hacia el usuario. Levante el cabezal del horno con ambas manos como se muestra en la imagen y colóquelo en el soporte del cabezal del horno.

- F**  Monte el cabezal del horno como se muestra en la imagen hasta que encaje en su lugar y oiga un clic. Asegúrese de que la placa de cocción o el aislamiento no se dañen durante el montaje del cabezal del horno.

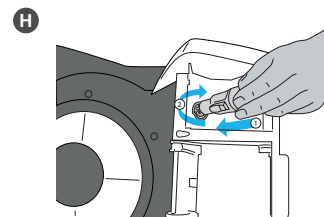
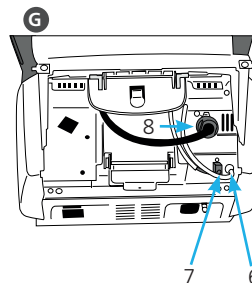


G Conexiones

Conecte los cables del cabezal del horno a la base del horno.

Proceda de la siguiente forma:

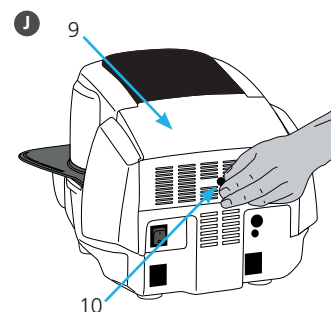
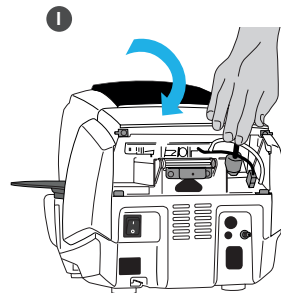
- Conecte la manguera de vacío (6).
- Introduzca el enchufe del termopar (7). (Asegúrese de que la polaridad del enchufe sea la correcta).
- Introduzca el enchufe de la resistencia (8).



- H Introduzca el enchufe de la resistencia en el conector previsto. Fije el enchufe de la resistencia girándolo 45°.

I Cierre de la cubierta protectora

Una vez que todos los cables estén conectados correctamente a la base del horno, cierre la tapa (9) para proteger las conexiones hasta que oiga un clic que indica que ha encajado en su lugar.



J Montaje de la tapa de conexiones

La tapa de conexiones (10) ya se puede montar y sujetar con los tornillos.



El horno solo se puede utilizar con la cubierta protectora cerrada y la tapa de conexiones montada

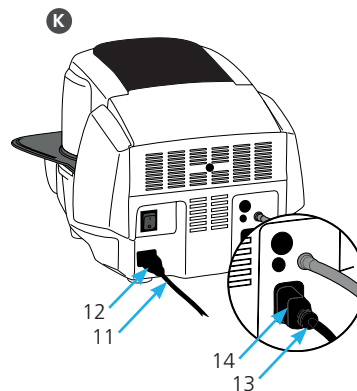
K Otras conexiones

Conexión eléctrica

Asegúrese de que la tensión indicada en la placa de características cumple con el suministro eléctrico local. Después, conecte el cable de red (11) en la toma de corriente del Programat (12).

Conexión de la bomba de vacío

Conecte el enchufe macho (13) de la bomba de vacío en la toma (14) correspondiente. Recomendamos utilizar únicamente una bomba de vacío de Ivoclar Vivadent, ya que esta bomba se ha diseñado especialmente para funcionar con el horno. Si se utilizan otras bombas, vigile y no supere el máximo de consumo de energía.



3. Interfaz de usuario

El Programat P510 G2 tiene una pantalla panorámica a color. El teclado y la pantalla táctil permiten un manejo sencillo. Al tocar suavemente la pantalla táctil con las yemas de los dedos, los botones se activan y el horno realiza la función solicitada.

Teclado:



Home

Regreso a la pantalla de inicio (menú principal)



Tecla de ahorro de energía

Esta tecla activa la función de ahorro de energía.

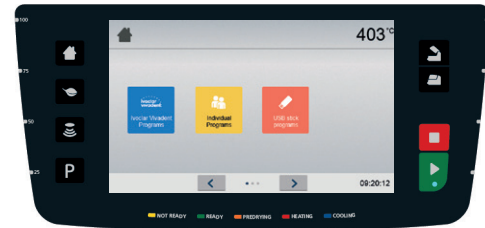


Open furnace head (Abrir el cabezal del horno)



START (LED de inicio)

Inicia el programa seleccionado. El LED verde indica que se está ejecutando un programa. Si se pausa el programa (1 x STOP), el LED de inicio se ilumina de forma intermitente, hasta que se vuelve a pulsar la tecla START, que tiene como resultado la reanudación del programa.



Tecla Program

Al pulsarla una vez: Se muestra el programa actualmente seleccionado.

Al pulsarla dos veces: Se accede a la selección de programa mediante la entrada de números.



Close furnace head (Cerrar el cabezal del horno)



STOP

Se puede pausar un programa en ejecución presionando la tecla STOP y finalizarlo presionando la tecla dos veces. El movimiento del cabezal del horno se puede parar en cualquier momento presionando la tecla STOP. Las señales acústicas solo se pueden detener pulsando la tecla STOP.

4. Funcionamiento

A Encendido del horno

Conecte el cable de alimentación en el enchufe de la pared.
Coloque el interruptor de encendido/apagado en la posición «I».

Después de la autocomprobación, la pantalla muestra la pantalla de inicio.
Desde esta pantalla se pueden seleccionar todas las funciones del Programat.
Haga clic en la tecla HOME para volver a la pantalla de inicio.

B Selección del tipo de programa

El horno comprende varios tipos de programa

a. Programas para materiales Ivoclar Vivadent

b. 500 programas ajustables de forma individual

C Selección del grupo de programas

Los tipos de programas se dividen en grupos de programas.
Cada grupo de programas comprende 20 programas.

D Selección del programa

Seleccione el programa necesario.

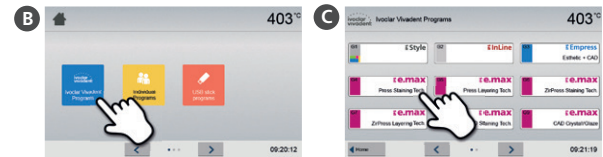
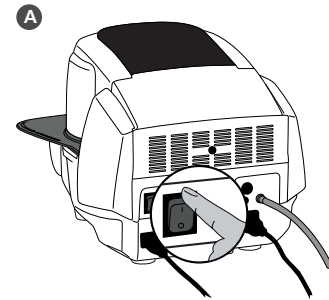
Carga del horno

Abra el cabezal del horno presionando el botón OPEN FURNACE HEAD
y coloque el objeto que va a cocer con la bandeja de cocción en el horno.

E Inicio del programa

Pulse la tecla START para iniciar el programa. El LED se ilumina en verde. Puede ver el progreso en la curva de cocción.

Al final del programa, el cabezal del horno se abre automáticamente. Tan pronto como el OSD se ilumina en verde, el horno está disponible para el siguiente inicio del programa.



5. Edición de los parámetros de cocción

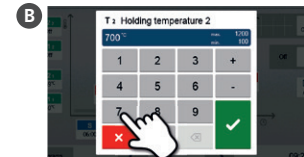
Los parámetros se configuran o editan en dos pasos.

Ejemplo: Ajuste de la temperatura de mantenimiento

A Presione el botón [T].

B Introduzca la temperatura de mantenimiento deseada y confírmela presionando el botón verde.

La temperatura de mantenimiento se ha cambiado correctamente. Todos los parámetros que se muestran en la curva de cocción se pueden cambiar o editar de la misma manera.



Cambio de las opciones del programa

Al presionar el botón [Options], se abre el menú de opciones adicionales del programa.

Ejemplo: Apertura del programa de protección contra escritura

A Presione el botón [Options].

B Edite la opción deseada y vuelva a la vista del programa presionando el botón [Close].

Al presionar los botones de las [Flechas], puede cambiar entre las páginas de opciones individuales.



Consulte las instrucciones de funcionamiento para obtener información más detallada.

6. Datos técnicos y condiciones de funcionamiento

6.1 Datos técnicos

Suministro eléctrico	110-120 V / 50-60 Hz 200-240 V / 50-60 Hz
Categoría de sobretensión	II
Nivel de contaminación	2
Fluctuaciones toleradas de tensión	±10 %
Consumo eléctrico máximo	14 A a 100 V 12 A a 110-120 V 8 A a 200-240 V
Datos aceptables para bombas de vacío de otros fabricantes: Potencia máx.: Vacío final:	250 W / máx. corriente de fuga 0,75 mA <50 mbar Solo se deben usar bombas probadas
Fusibles eléctricos	110-120 V: 125 V / T15 A (circuito calefactor) 125 V / T5 A (bomba de vacío)
	200-240 V: 250 V / T8 A (circuito calefactor) 250 V / T3,15 A (bomba de vacío)
Dimensiones de los fusibles eléctricos:	110-120 V: Diámetro 6,3 x 32 mm 200-240 V: Diámetro 5 x 20 mm
Dimensiones del horno cerrado	Profundidad: 495 mm Anchura: 320 mm / 395 mm (con bandeja de enfriamiento) Altura: 320 mm
Dimensiones útiles de la cámara de cocción	Diámetro: 90 mm Altura: 80 mm
Temperatura máx. de cocción:	1200 °C
Peso	18,7 kg.

Avisos de seguridad

El horno cumple con las siguientes directrices:
IEC 61010-1:2010
IEC 61010-1:2010/AMD1:2016
EN 61010-1:2010/A1:2019
UL 61010-1:2012/R:2019-07
CAN/CSA-C22.2 No. 61010-1:2012/A1:2018-11

EN 61010-2-010:2020
IEC 61010-2-010:2019
UL 61010-2-010:2019
CAN/CSA-C22.2 No. 61010-2-010:2019

Protección radioeléctrica, compatibilidad electromagnética: probado EMC

6.2 Condiciones aceptables de funcionamiento

- Intervalo aceptable de temperatura ambiente: +5 °C a +40 °C
- Intervalo aceptable de humedad: 80 % de humedad relativa para temperaturas de hasta 31 °C, disminuyendo gradualmente hasta un 50 % de humedad relativa a 40 °C, excluida la condensación.
- Presión ambiente aceptable: Se ha comprobado que el horno puede utilizarse en altitudes de hasta 2000 m por encima del nivel del mar.

6.3 Condiciones aceptables de transporte y almacenamiento

- Intervalo aceptable de temperatura: -20 °C a +65 °C
- Intervalo aceptable de humedad: Máx. 80% de humedad relativa
- Presión ambiente aceptable: 500 mbar hasta 1060 mbar

Utilice únicamente el embalaje original junto con el respectivo material de espuma para el transporte.

7. Mantenimiento, limpieza, diagnóstico

El capítulo 7 de las instrucciones de funcionamiento completas de este aparato contiene descripciones detalladas de los procedimientos de mantenimiento, limpieza y diagnóstico del aparato.

Las tareas enumeradas solo las pueden llevar a cabo técnicos dentales o profesionales de laboratorios dentales debidamente cualificados. Todas las demás tareas deben ser realizadas por personal especializado de un servicio técnico autorizado.

Información general sobre las tareas de control y mantenimiento

El momento de realizar estos procesos de mantenimiento depende de la frecuencia de uso y de los hábitos de trabajo de los usuarios. Por esa razón, los plazos recomendados son solo aproximados.

8. Eliminación del aparato



El capítulo 2 de las instrucciones de funcionamiento completas de este aparato contiene información sobre la eliminación adecuada y correcta del aparato.

El aparato no debe eliminarse con la basura doméstica normal. Por favor, elimine los viejos hornos correctamente de acuerdo con la correspondiente directiva del consejo de la UE. También es posible encontrar información sobre la eliminación en la página web de Ivoclar Vivadent de su país.

Programat® P510_{G2}

Guia Rápido

Prezado Cliente

Agradecemos pela aquisição do Programat® P510 G2. Para facilitar ao máximo a configuração e o uso inicial do forno, preparamos este guia rápido.



Este guia rápido não tem a finalidade de substituir as Instruções de Operação detalhadas. Portanto, pedimos que você leia atentamente as Instruções de Operação e siga as notas aqui contidas. Você pode encontrar as Instruções de Operação na seção de download do <http://www.ivoclarvivadent.com>.

Aproveite o trabalho com o Programat P510 G2.

1. Uso pretendido

Finalidade e uso previstos

O Programat P510 G2 é um forno para cerâmica, usado na área odontológica. Ele foi especialmente desenvolvido para uso nos laboratórios de prótese odontológica. A câmara de queima pode aquecer até no máximo 1200 °C por meio de um elemento de aquecimento.

Além disso, a câmara de queima foi projetada de tal forma que um vácuo pode ser criado com uma bomba de vácuo. Os componentes eletrônicos com o software correspondente monitoram e controlam os programas de queima. Além disso, as temperaturas definidas e reais são continuamente comparadas.

Utilize o Programat P510 G2 exclusivamente para o processo de queima de materiais dentários cerâmicos. Outros usos que não sejam estipulados, p. ex., cozinhar alimentos, queimar outros materiais, etc., são contraindicados. O fabricante não assume qualquer responsabilidade por danos resultantes de uso indevido. O usuário é o único responsável por qualquer risco resultante do não cumprimento destas instruções.

Outras instruções para garantir o uso adequado do forno:

- As instruções, regulamentos e notas neste Guia Rápido devem ser observados.
- As instruções, regulamentos e notas nas Instruções de Uso dos materiais, devem ser observados.
- O forno deve ser operado sob as condições ambientais e operacionais indicadas (ver Capítulo 6).
- O Programat P510 G2 deve ser mantido adequadamente.

Informação adicional

O equipamento foi desenvolvido unicamente para uso odontológico. A inicialização e a operação devem ser realizadas estritamente de acordo com as Instruções de Operação. Responsabilidade não pode ser aceita por danos resultantes do uso indevido ou da não observância das Instruções. O usuário é o único responsável por testar o equipamento quanto à sua compatibilidade para qualquer finalidade não explicitamente declarada nas Instruções.

Informações sobre a limpeza do forno podem ser encontradas nas Instruções de Operação. Informações sobre o correto posicionamento dos materiais em relação a este forno podem ser encontradas nas Instruções de Operação do forno ou nas Instruções de Uso do respectivo material.

Notas de segurança

Área de risco	Tipo de risco
Câmara de queima	Risco de queimadura
Mecanismo de abertura/fechamento	Risco de esmagamento
Componentes elétricos (cabos e conexões)	Risco de choque elétrico

Informações de segurança para a operação

O dispositivo pode ser operado somente por pessoal técnico autorizado e treinado.

- Manter pessoas não autorizadas, tais como pacientes, crianças e animais, distantes do dispositivo.
- Em todos os casos de dúvida sobre a segurança do equipamento, desligue-o e tome as medidas adequadas para prevenir futuras utilizações.
- Antes de conectar a energia ou a operação, verifique o dispositivo, os acessórios e o equipamento de proteção quanto a danos.
- Não use o equipamento ou os acessórios danificados ou que não funcionem. Informe o seu parceiro de serviço autorizado.
- Para assegurar a segurança do produto e a garantia dos serviços, o dispositivo deve ser operado exclusivamente com os acessórios originais da Ivoclar Vivadent, particularmente o adaptador de força original.
- O usuário assume o risco ao utilizar acessórios não aprovados.
- Para evitar danos ao dispositivo e redução do desempenho do mesmo, observe os requisitos e ciclos de limpeza.
- Somente opere o dispositivo sem supervisão se as condições operacionais descritas abaixo forem cumpridas.

Operação sem supervisão

O dispositivo pode ser operado sem supervisão, desde que as leis e disposições nacionais e locais sejam observadas e permitam essa ação. Além disso, os requisitos da respectiva companhia de seguros devem ser atendidos.

- Nunca use o dispositivo se o ambiente de trabalho estiver muito sujo.
- Proteja o dispositivo contra acesso não autorizado.

Notas de segurança

Este forno foi desenvolvido de acordo com EN 61010-1 e foi enviado do fabricante em excelentes condições no que diz respeito aos regulamentos de segurança. Para manter esta condição e garantir um funcionamento sem riscos, o usuário deve observar as notas e advertências contidas nestas Instruções de Operação.

- O usuário deve se familiarizar especialmente com os avisos e condições de operação para evitar ferimentos ao pessoal ou danos aos materiais. O fabricante não é responsável por danos resultantes do uso indevido ou da não observância das Instruções de Operação. Reclamações de garantia não podem ser aceitas em tais casos.
- Antes de ligar o forno, certifique-se de que a voltagem indicada na placa de identificação está de acordo com a fonte de alimentação local.
- A tomada de alimentação deve estar equipada com um dispositivo operado por corrente residual (FI).
- O plugue de alimentação atua como um disjuntor e só pode ser conectado à uma tomada de fácil acesso com contato de proteção.
- Use apenas o cabo de alimentação original fornecido.
- Coloque o forno sobre uma mesa à prova de fogo: Observe os regulamentos locais (por exemplo, distância de substâncias ou objetos combustíveis, etc.).
- Certifique-se de que as aberturas de ventilação laterais e traseiras estão sempre desobstruídas.
- Não toque em nenhuma parte que fique quente durante a operação do forno. Risco de queimadura!
- Ao remover componentes quentes da câmara de queima (por exemplo, mesa de queima, bandeja de queima), certifique-se de colocá-los em uma superfície à prova de fogo.
- Limpe o forno apenas com um pano seco e macio. Não use solventes! Desconecte a energia antes de limpar e deixe o forno esfriar!
- O forno deve estar frio antes de ser embalado para transporte.

- Use a embalagem original para fins de transporte.
- Antes da calibração, manutenção, reparo ou troca de peças, a energia deve ser desconectada e o forno deve estar frio, se precisar ser aberto.
- Se a calibração, manutenção ou reparo tiver que ser realizado com a energia conectada e o forno aberto, somente pessoal qualificado que está familiarizado com os riscos e perigos pode executar os procedimentos.
- Após a manutenção, os testes de segurança necessários (resistência de alta tensão, condutor de proteção, etc.) devem ser realizados.
- Certifique-se de que apenas fusíveis do tipo e corrente nominal indicados sejam usados.
- Use apenas as partes e peças originais.
- Se for assumido que a operação segura não é mais possível, a energia deve ser desconectada para evitar operação acidental.
- Se o forno estiver visivelmente danificado, a energia deve ser desconectada para evitar operação acidental.
- Verifique o funcionamento correto do dispositivo após armazenamento em condições desfavoráveis por um longo período de tempo.
- Se o forno não funcionar corretamente, a energia deve ser desconectada para evitar operação acidental.
- A faixa de temperatura para operação sem falhas é +5°C a +40°C.
- Se o forno foi armazenado em temperaturas muito baixas ou alta umidade atmosférica, o forno deve ser deixado para se ajustar à temperatura ambiente por aprox. 4 horas. Não conecte a alimentação ainda.
- O forno é testado para uso em altitudes de até 2.000 m acima do nível do mar.
- O forno só pode ser usado ambientes internos.
- Antes de sair da fábrica, as funções do forno foram testadas por várias horas. Portanto, é possível que esses testes tenham causado uma ligeira descoloração no isolamento. No entanto, seu Programat ainda é um forno novo.



Qualquer interrupção do condutor de proteção dentro ou fora do forno ou qualquer afrouxamento do mesmo pode representar perigo para o usuário em caso de mau funcionamento. Interrupções deliberadas não são toleradas.



Materiais que desenvolvem gases nocivos não devem ser queimados!



Advertências quanto à desmontagem da mufla de aquecimento

Este produto contém fibras cerâmicas e pode liberar poeira de fibras. O pó de fibra provou ser cancerígeno em experimentos com animais. A mufla de aquecimento só pode ser desmontada por um Centro de Serviço Pós-Vendas qualificado. As informações sobre a Folha de Dados de Segurança também estão disponíveis no Centro de Serviço Pós-Vendas.

- No caso de incidentes graves relacionados ao produto, entre em contato com Ivoclar Vivadent AG, Beldererstrasse 2, 9494 Schaan/Liechtenstein, website: www.ivoclarvivadent.com, e sua autoridade competente responsável.
- As Instruções de Operação atuais estão disponíveis na seção de download do site da Ivoclar Vivadent AG (www.ivoclarvivadent.com).

Explicação dos símbolos:

Símbolo	Nota
	Risco de queimadura
	Risco de esmagamento
	As Instruções de Operação devem ser lidas

2. Instalação

Remova os componentes do forno da embalagem e coloque a unidade sobre uma mesa compatível. Observe as instruções na embalagem externa. Certifique-se de que a voltagem indicada na placa de identificação está de acordo com a fonte de alimentação local. Se não for esse o caso, o forno não deve ser conectado.

A Montagem da bandeja de resfriamento

Remova os dois parafusos da bandeja de resfriamento (1).

B Coloque a bandeja de resfriamento (2) na placa da estrutura (3). Certifique-se de que a bandeja de resfriamento está posicionada corretamente na placa da estrutura.


C Prenda a bandeja de resfriamento com os dois parafusos (1).

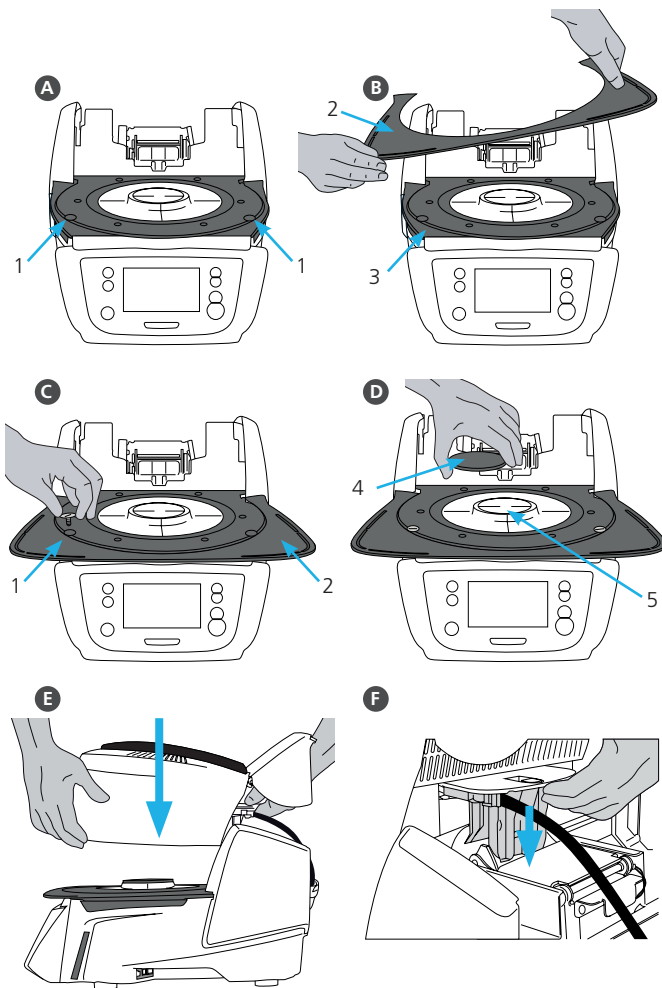
D Colocando a plataforma de queima.

A plataforma de queima (4) agora pode ser colocada no suporte da plataforma de queima (5).

E Montagem da cabeça do forno

A cabeça do forno é mais fácil de ser montada com o painel traseiro do forno apontado para o usuário. Levante a cabeça do forno com ambas as mãos, conforme mostrado na imagem, e coloque-a na montagem da cabeça do forno.

F  Monte a cabeça do forno conforme mostrado na imagem até que ela se encaixe de forma audível. Certifique-se de que a placa de queima ou o isolamento não sejam danificados pela montagem da cabeça do forno.

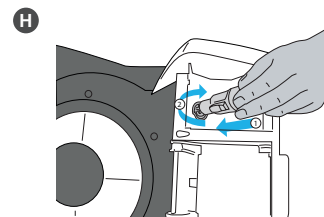
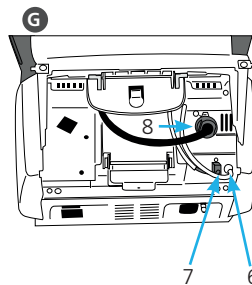


G Estabelecendo as conexões

Conecte os cabos da cabeça do forno com a base do forno.

Proceda da seguinte forma:

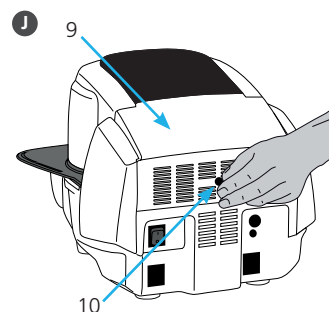
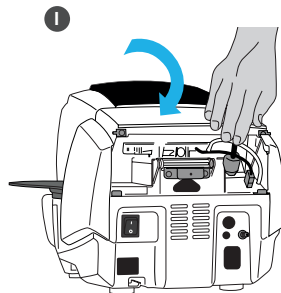
- Conecte a mangueira de vácuo (6).
- Insira o plugue do termopar (7). (Certifique-se de que a polaridade do plugue está correta.)
- Insira o plugue do aquecedor (8).



- H Insira o plugue do aquecedor no conector desejado. Prenda o plugue do aquecedor girando-o 45 °.

I Fechando a tampa de cobertura

Uma vez que todos os cabos estejam corretamente conectados à base do forno, feche a tampa (9) para proteger as conexões até sentir que ela encaixou no lugar.



J Montagem da tampa de conexão

A tampa de conexão (10) agora pode ser montada e fixada com os parafusos.



O forno só pode ser usado com a tampa de cobertura fechada e a tampa de conexão montada!

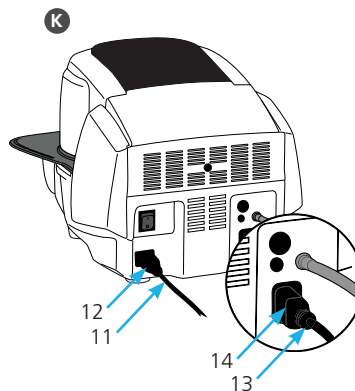
K Estabelecendo as conexões adicionais

Conexão de energia

Certifique-se de que a voltagem indicada na placa de identificação está de acordo com a fonte de alimentação local. Posteriormente, conecte o cabo de alimentação (11) com a tomada de alimentação do Programat (12).

Conectando a bomba de vácuo

Conecte o plugue da bomba de vácuo (13) com o soquete da bomba de vácuo (14). Recomendamos o uso apenas de uma bomba de vácuo da Ivoclar Vivadent, uma vez que essas bombas são especialmente coordenadas com o forno. Se outras bombas forem usadas, observe e não exceda o consumo máximo de energia indicado.



3. Interface do usuário

O Programat P510 G2 possui um display colorido wide-screen. O teclado e a tela sensível ao toque permitem um manuseio intuitivo. Tocando levemente com a ponta dos dedos na tela de toque, os botões são ativados e o forno executa a função solicitada.

Teclado:



Home

Retornando à tela inicial (menu principal)



Chave de economia de energia

Esta tecla ativa a função de economia de energia.

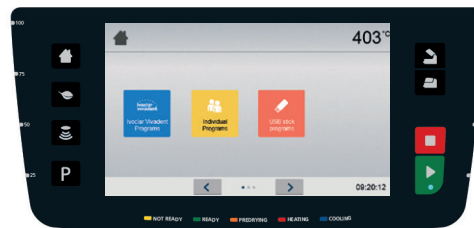


Abrir a cabeça do forno



START (LED Iniciar)

Inicia o programa selecionado. O LED verde indica que um programa está em andamento. Se o programa for pausado (1 x STOP), o LED Start piscará até que a nova pressão em START resulte na retomada do programa.



Chave de programa

Pressionando uma vez: O programa atualmente selecionado é exibido.

Pressionando duas vezes: A seleção do programa através da entrada do número é acessada.



Fechar a cabeça do forno



STOP

Um programa em execução pode ser pausado pressionando o botão STOP ou encerrado pressionando duas vezes. O movimento da cabeça do forno pode ser parado a qualquer momento pressionando STOP. Os sinais sonoros podem ser desligados pressionando o botão STOP.

4. Operação

A Ligando o forno

Conecte o cabo de alimentação à tomada da parede.
Coloque o botão Liga/Desliga na posição "I".

Após o autoteste, o visor mostra a tela inicial. Todas as funções do Programat podem ser selecionadas nesta tela. Clique em HOME para retornar à tela inicial.

B Selecionando o tipo de programa

O forno compreende vários tipos de programa

- a. Programas para os materiais da Ivoclar Vivadent
- b. 500 programas individualmente ajustáveis

C Selecionando o grupo de programas

Os tipos de programa são divididos em grupos de programas.
Cada grupo de programas compreende 20 programas.

D Selecionando o programa

Selecione o programa necessário.

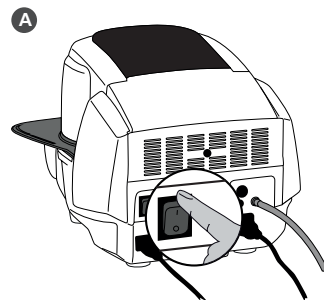
Carregando o forno

Abra a cabeça do forno pressionando a tecla ABRIR CABEÇA DO FORNO e coloque o objeto a ser queimado com a bandeja de queima no forno.

E Iniciando o programa

Pressione a tecla START para iniciar o programa. O LED acende em verde. Você pode ver o progresso na curva de queima.

No final do programa, a cabeça do forno abre automaticamente. Assim que o OSD acender em verde, o forno estará disponível para o início do próximo programa.



5. Editando os parâmetros de queima

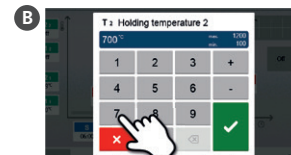
Os parâmetros são definidos ou editados em duas etapas.

Exemplo: Definir a temperatura de manutenção

A Pressione o botão [T].

B Insira a temperatura de manutenção desejada e confirme pressionando o botão verde.

A temperatura de manutenção foi alterada com sucesso. Todos os parâmetros mostrados na curva de queima podem ser alterados/editados da mesma maneira.



Alterar opções do programa

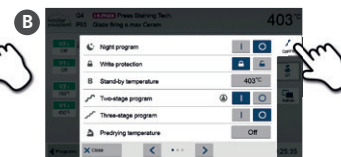
Ao pressionar o botão [Opções] o menu de opções adicionais do programa é aberto.

Exemplo: Abra o programa de proteção contra gravação

A Pressione o botão [Opções].

B Edite a opção desejada e retorne à visualização do programa pressionando o botão [Fechar].

Ao pressionar os botões [Seta], você pode alternar entre as páginas de opções individuais.



Por favor, consulte as Instruções Operacionais para informações mais detalhadas.

6. Informações técnicas e condições de operação

6.1 Informações técnicas

Fonte de alimentação	110–120 V / 50–60 Hz 200–240 V / 50–60 Hz
Categoria de sobretensão	II
Nível de contaminação	2
Flutuações de tensão aceitáveis	± 10 %
Consumo máx. de energia	14 A a 100 V 12 A em 110–120 V 8 A em 200–240 V
Dados aceitáveis para bombas de outros fabricantes: Potência máx.: Vácuo final:	250 W / corrente de fuga máx. 0,75 mA < 50 mbar Apenas bombas testadas devem ser usadas
Fusíveis elétricos	110–120 V: 125 V / T15A (circuito de aquecimento) 125 V / T5A (bomba de vácuo)
	200–240 V: 250 V / T8A (circuito de aquecimento) 250 V / T3.15A (bomba de vácuo)
Dimensões de fusíveis elétricos	110–120 V: Diâmetro 6,3 x 32 mm 200–240 V: Diâmetro 5 x 20 mm
Dimensões do forno fechado	Profundidade: 495 mm Largura: 320 mm / 395 mm (com bandeja de resfriamento) Altura: 320 mm
Tamanho utilizável da câmara de queima	Diâmetro: 90 mm Altura: 80 mm
Temperatura máx. de queima	1.200 °C
Peso	18,7 kg

Notas de segurança

O forno está em conformidade com as seguintes normas:

IEC 61010-1:2010
IEC 61010-1:2010/AMD1:2016
EN 61010-1:2010/A1:2019
UL 61010-1:2012/R:2019-07
CAN/CSA-C22.2 No. 61010-1:2012/A1:2018-11

EN 61010-2-010:2020
IEC 61010-2-010:2019
UL 61010-2-010:2019
CAN/CSA-C22.2 No. 61010-2-010:2019

Proteção de rádio, compatibilidade eletromagnética: Testado EMC

6.2 Condições operacionais aceitáveis

- Faixa de temperatura ambiente aceitável: +5 °C a +40 °C
- Faixa de umidade aceitável: 80 % de umidade relativa máxima para temperaturas de até 31 °C, diminuindo gradativamente para 50% de umidade relativa a 40 °C; condensação excluída.
- Pressão ambiente aceitável: O forno é testado para uso em altitudes de até 2.000 m acima do nível do mar.

6.3 Condições de transporte e armazenamento aceitáveis

- Faixa de temperatura aceitável: -20 °C a +65 °C
- Faixa de umidade aceitável: Máx. 80% de umidade relativa
- Pressão ambiente aceitável: 500 mbar a 1.060 mbar

Use apenas a embalagem original juntamente com o material de espuma correspondente para fins de transporte.

7. Manutenção, limpeza e diagnóstico

O Capítulo 7 das Instruções de Operação completas para este dispositivo contém descrições detalhadas dos procedimentos de manutenção, limpeza e diagnóstico do dispositivo.

Apenas as tarefas listadas podem ser realizadas por técnicos em prótese dentária ou profissionais do laboratório de prótese qualificados. Todas as outras tarefas devem ser realizadas por pessoal de serviço qualificado em um Centro de Serviço certificado.

Informações gerais sobre as tarefas de controle e manutenção

O tempo para esses procedimentos de manutenção depende da frequência de uso e dos hábitos de trabalho dos usuários. Por esse motivo, os tempos recomendados são apenas aproximações.

8. Descarte do dispositivo



O Capítulo 2 das Instruções de Operação completas para este dispositivo contém informações sobre o descarte adequado e correto do dispositivo.

O dispositivo não deve ser descartado no lixo doméstico comum. Por favor, descarte corretamente os fornos antigos de acordo com a diretiva do conselho da EU correspondente. Informações sobre o descarte também podem ser encontradas no respectivo site nacional da Ivoclar Vivadent.

Ivoclar Vivadent – worldwide

Ivoclar Vivadent AG

Bendererstrasse 2
9494 Schaan
Liechtenstein
Tel. +423 235 35 35
Fax +423 235 33 60
www.ivoclarvivadent.com

Ivoclar Vivadent Pty. Ltd.

1 – 5 Overseas Drive
P.O. Box 367
Noble Park, Vic. 3174
Australia
Tel. +61 3 9795 9599
Fax +61 3 9795 9645
www.ivoclarvivadent.com.au

Ivoclar Vivadent GmbH

Tech Gate Vienna
Donau-City-Strasse 1
1220 Wien
Austria
Tel. +43 1 263 191 10
Fax +43 1 263 191 111
www.ivoclarvivadent.at

Ivoclar Vivadent Ltda.

Alameda Caiapós, 723
Centro Empresarial Tamboré
CEP 06460-110 Barueri – SP
Brazil
Tel. +55 11 2424 7400
www.ivoclarvivadent.com.br

Ivoclar Vivadent Inc.

1-6600 Dixie Road
Mississauga, Ontario
L5T 2Y2
Canada
Tel. +1 905 670 8499
Fax +1 905 670 3102
www.ivoclarvivadent.us

Ivoclar Vivadent Shanghai

Trading Co., Ltd.
2/F Building 1, 881 Wuding Road,
Jing An District
200040 Shanghai
China
Tel. +86 21 6032 1657
Fax +86 21 6176 0968
www.ivoclarvivadent.com

Ivoclar Vivadent Marketing Ltd.

Calle 134 No. 7-B-83, Of. 520
Bogotá
Colombia
Tel. +57 1 627 3399
Fax +57 1 633 1663
www.ivoclarvivadent.co

Ivoclar Vivadent SAS

B.P. 118
74410 Saint-Jorioz
France
Tel. +33 4 50 88 64 00
Fax +33 4 50 68 91 52
www.ivoclarvivadent.fr

Ivoclar Vivadent GmbH

Dr. Adolf-Schneider-Str. 2
73479 Ellwangen, Jagst
Germany
Tel. +49 7961 889 0
Fax +49 7961 6326
www.ivoclarvivadent.de

Ivoclar Vivadent Marketing (India) Pvt. Ltd.

503/504 Raheja Plaza
15 B Shah Industrial Estate
Veera Desai Road, Andheri (West)
Mumbai, 400 053
India
Tel. +91 22 2673 0302
Fax +91 22 2673 0301
www.ivoclarvivadent.in

Ivoclar Vivadent Marketing Ltd.

The Icon
Horizon Broadway BSD
Block M5 No. 1
Kecamatan Cisaug Kelurahan Sampora
15345 Tangerang Selatan – Banten
Indonesia
Tel. +62 21 3003 2932
Fax +62 21 3003 2934
www.ivoclarvivadent.com

Ivoclar Vivadent s.r.l.

Via del Lavoro 47
40033 Casalecchio di Reno (BO)
Italy
Tel. +39 051 6113555
Fax +39 051 6113565
www.ivoclarvivadent.it

Ivoclar Vivadent K.K.

1-28-24-4F Hongo
Bunkyo-ku
Tokyo 113-0033
Japan
Tel. +81 3 6801 1301
Fax +81 3 5844 3657
www.ivoclarvivadent.jp

Ivoclar Vivadent Ltd.

4F TAMIYA Bldg.
215 Baumoe-ro, Seocho-gu
Seoul, 06740
Republic of Korea
Tel. +82 2 536 0714
Fax +82 2 6499 0744
www.ivoclarvivadent.co.kr

Ivoclar Vivadent S.A. de C.V.

Calzada de Tlalpan 564,
Col Moderna, Del Benito Juárez
03810 México, D.F.
México
Tel. +52 (55) 50 62 10 00
Fax +52 (55) 50 62 10 29
www.ivoclarvivadent.com.mx

Ivoclar Vivadent BV

De Fruittuinen 32
2132 NZ Hoofddorp
Netherlands
Tel. +31 23 529 3791
Fax +31 23 555 4504
www.ivoclarvivadent.com

Ivoclar Vivadent Ltd.

12 Omega St, Rosedale
PO Box 303011 North Harbour
Auckland 075, New Zealand
Tel. +64 9 914 9999
Fax +64 9 914 9990
www.ivoclarvivadent.co.nz

Ivoclar Vivadent Polska Sp. z o.o.

Al. Jana Pawła II 78
00-175 Warszawa, Poland
Tel. +48 22 635 5496
Fax +48 22 635 5469
www.ivoclarvivadent.pl

Ivoclar Vivadent LLC

Prospekt Andropova 18 korp. 6/
office 10-06, 115432 Moscow
Russia
Tel. +7 499 418 0300
Fax +7 499 418 0310
www.ivoclarvivadent.ru

Ivoclar Vivadent Marketing Ltd.

Qlaya Main St.
Siricon Building No.14, 2nd Floor
Office No. 204, P.O. Box 300146
Riyadh 11372, Saudi Arabia
Tel. +966 11 293 8345
Fax +966 11 293 8344
www.ivoclarvivadent.com

Ivoclar Vivadent S.L.U.

Carretera de Fuencarral n°24
Portal 1 – Planta Baja
28108-Alcobendas (Madrid)
Spain
Tel. +34 91 375 78 20
Fax +34 91 375 78 38
www.ivoclarvivadent.es

Ivoclar Vivadent AB

Gustav Illis Boulevard 50
169 74 Solna
Sweden
Tel. +46 8 514 939 30
Fax +46 8 514 939 40
www.ivoclarvivadent.se

Ivoclar Vivadent Liaison Office

: Tesvikiye Mahallesi
Sakayik Sokak
Nisantas' Plaza No:38/2
Kat:5 Daire:24
34021 Sisli – Istanbul
Turkey
Tel. +90 212 343 0802
Fax +90 212 343 0842
www.ivoclarvivadent.com

Ivoclar Vivadent Limited

Compass Building
Feldspar Close
Warrens Business Park
Enderby
Leicester LE19 4SD
United Kingdom
Tel. +44 116 284 7880
Fax +44 116 284 7881
www.ivoclarvivadent.co.uk

Ivoclar Vivadent, Inc.

175 Pineview Drive
Amherst, N.Y. 14228
USA
Tel. +1 800 533 6825
Fax +1 716 691 2285
www.ivoclarvivadent.us



Manufacturer:

Ivoclar Vivadent AG
Bendererstrasse 2, 9494 Schaan/Liechtenstein
www.ivoclarvivadent.com

Date information prepared: 2021-10-07 / Rev. 1

751823 / WE1

